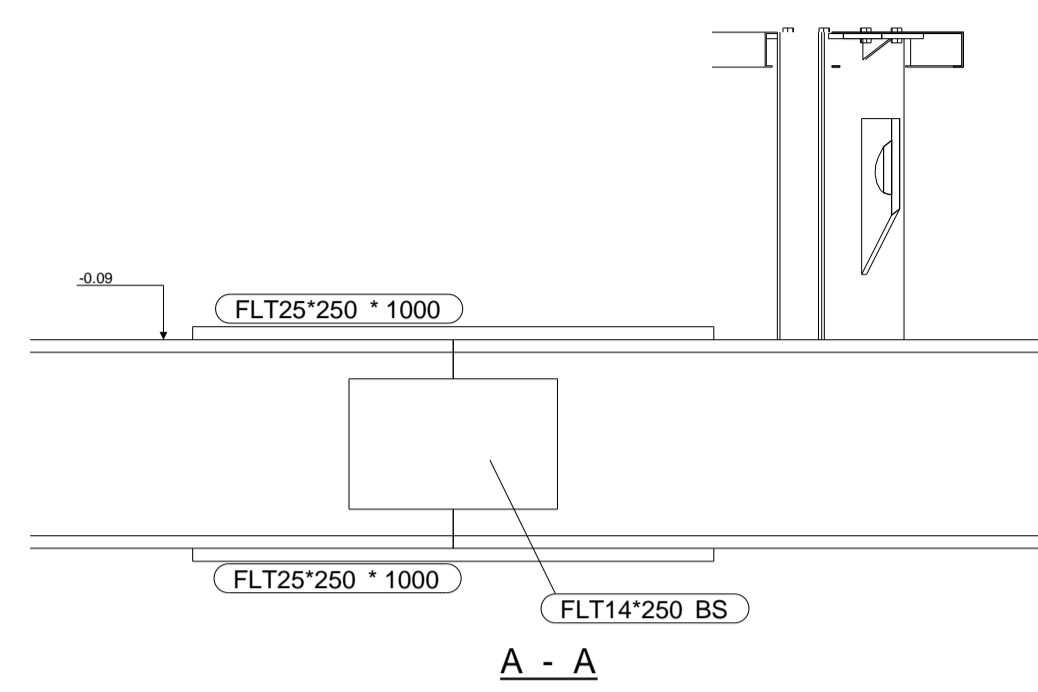
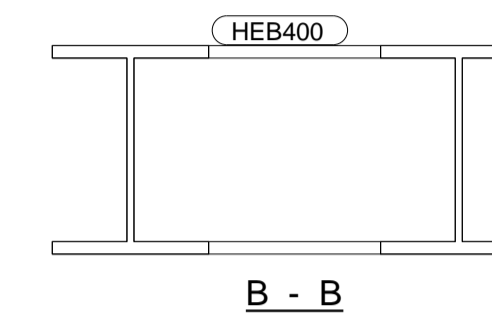


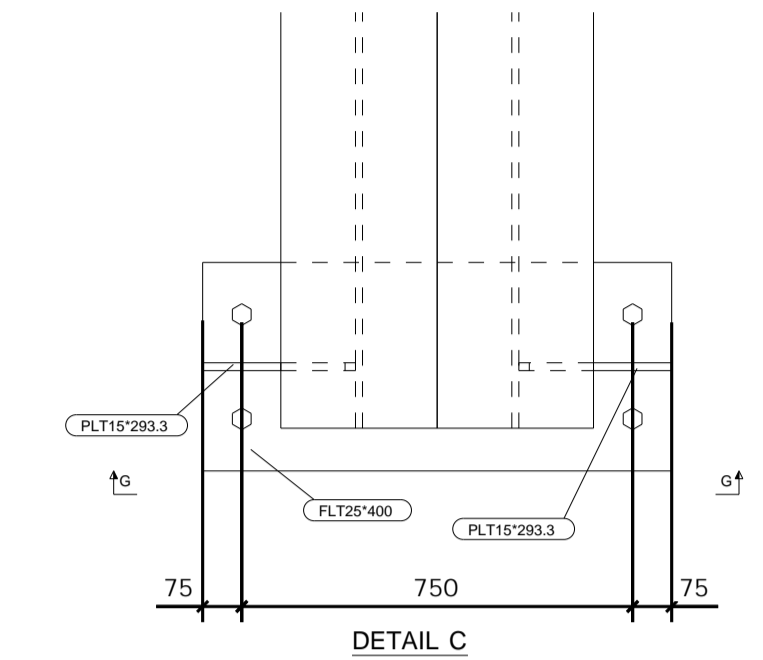
PLAN 0.00



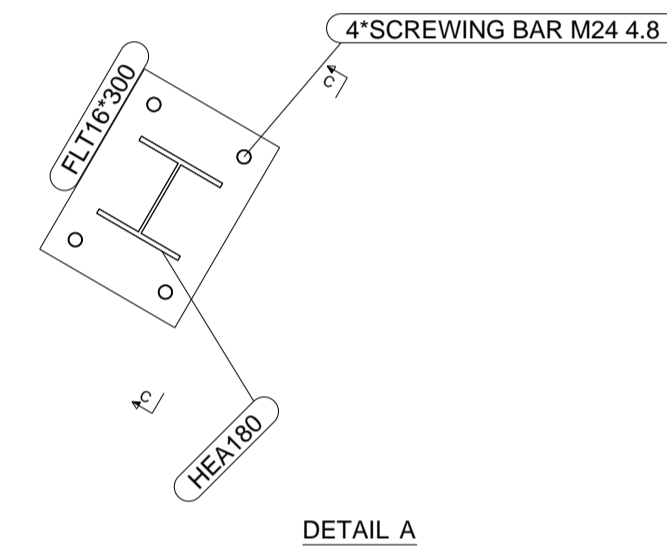
A - A



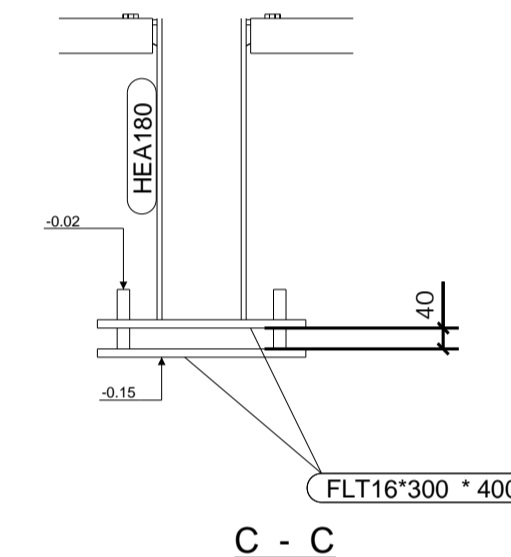
B - B



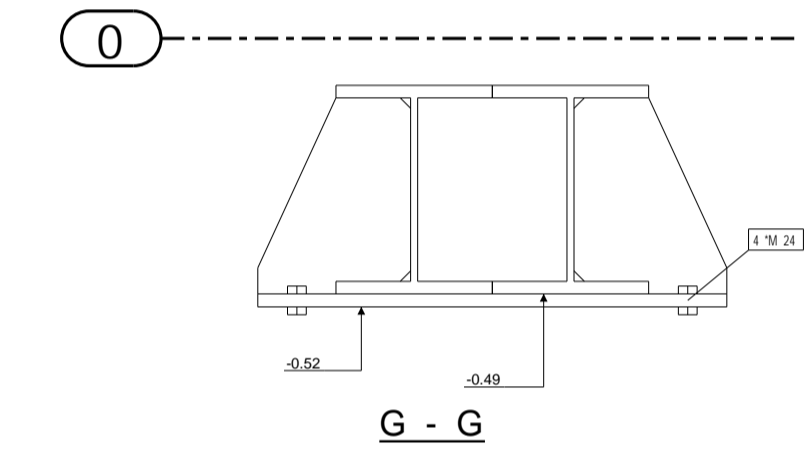
DETAIL C



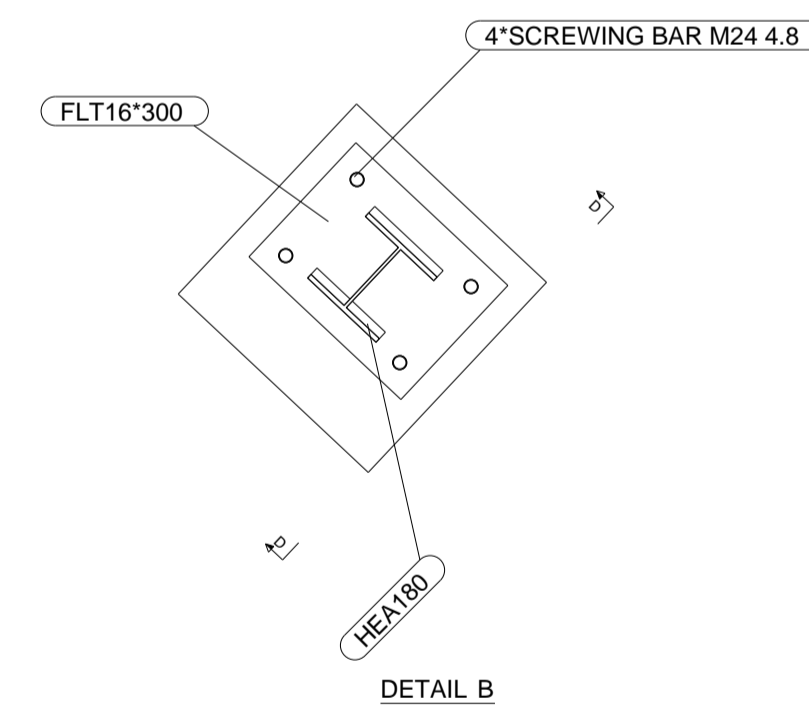
DETAIL A



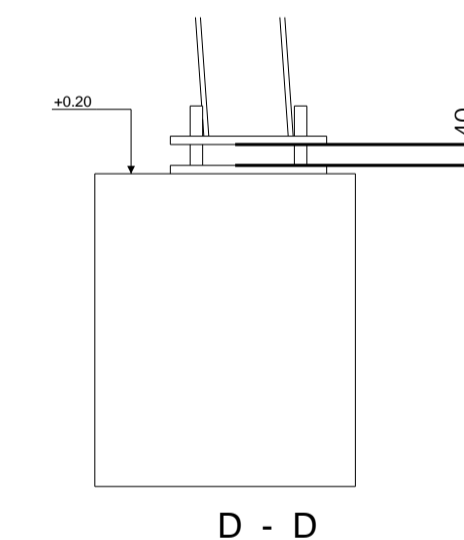
C - C



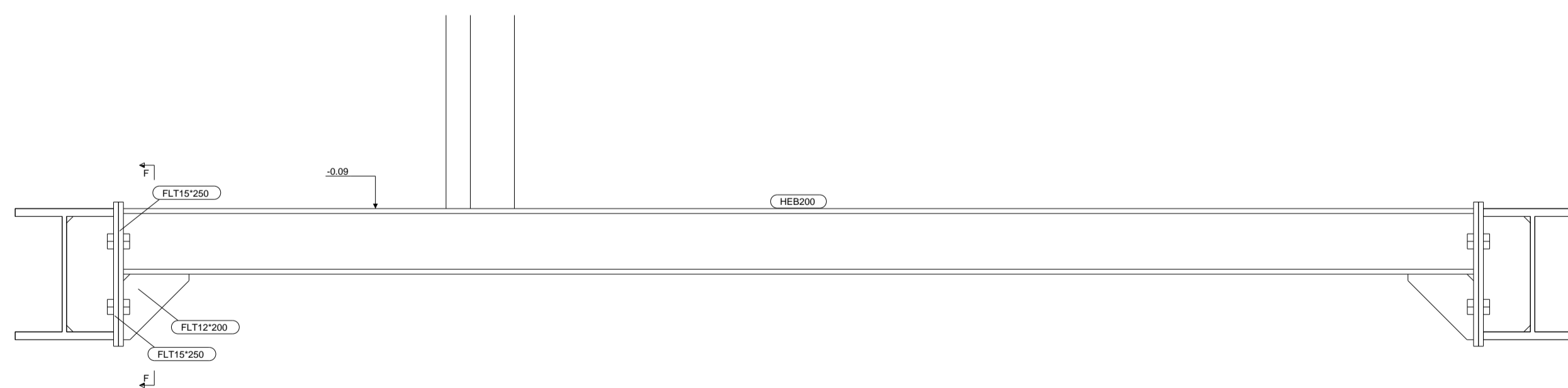
G - G



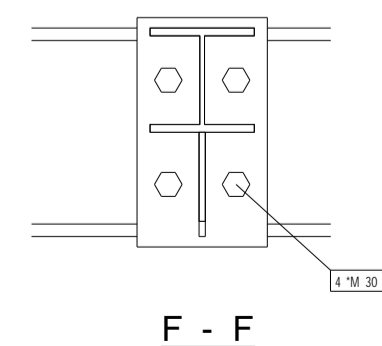
DETAIL B



D - D

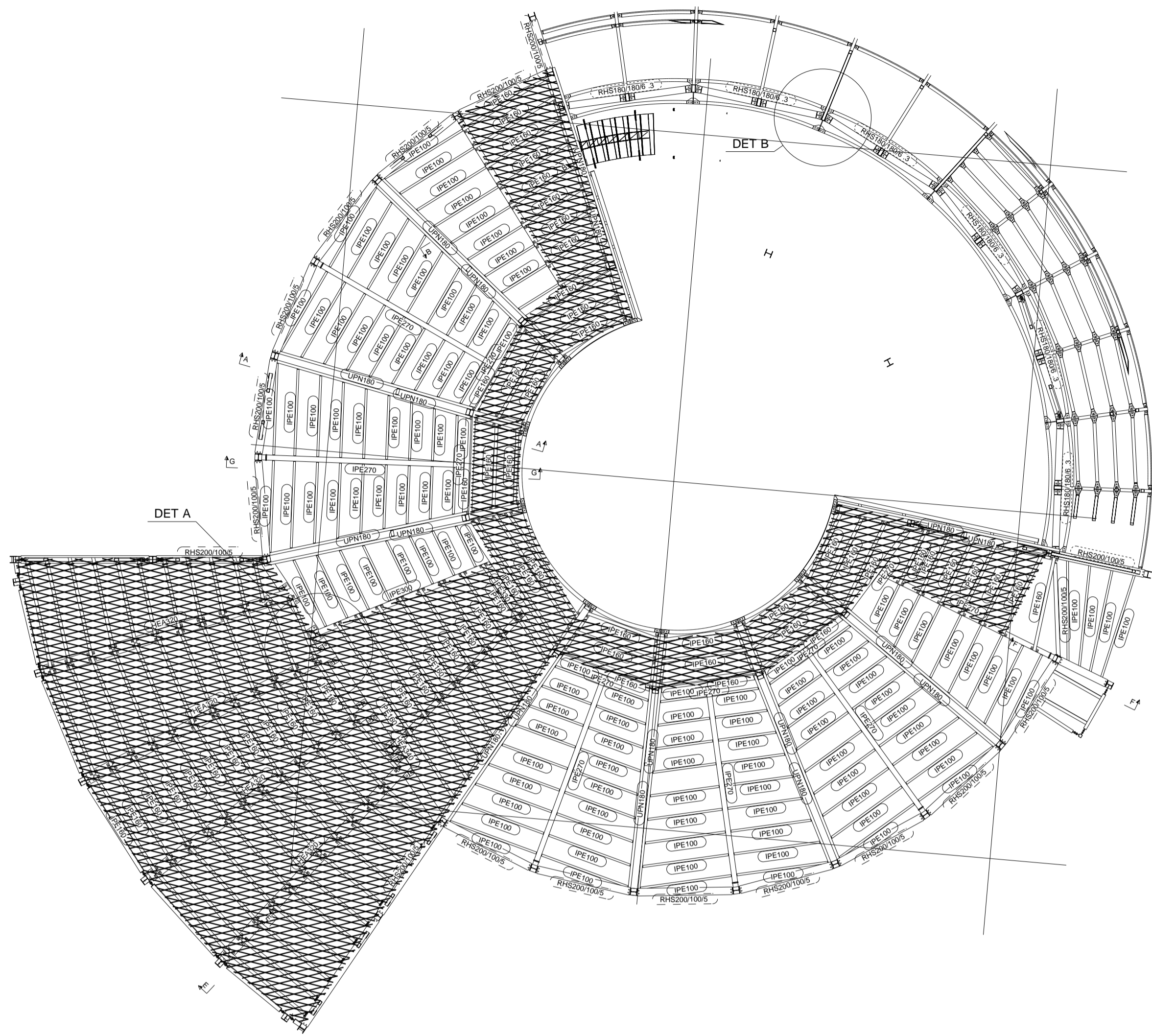


E - E

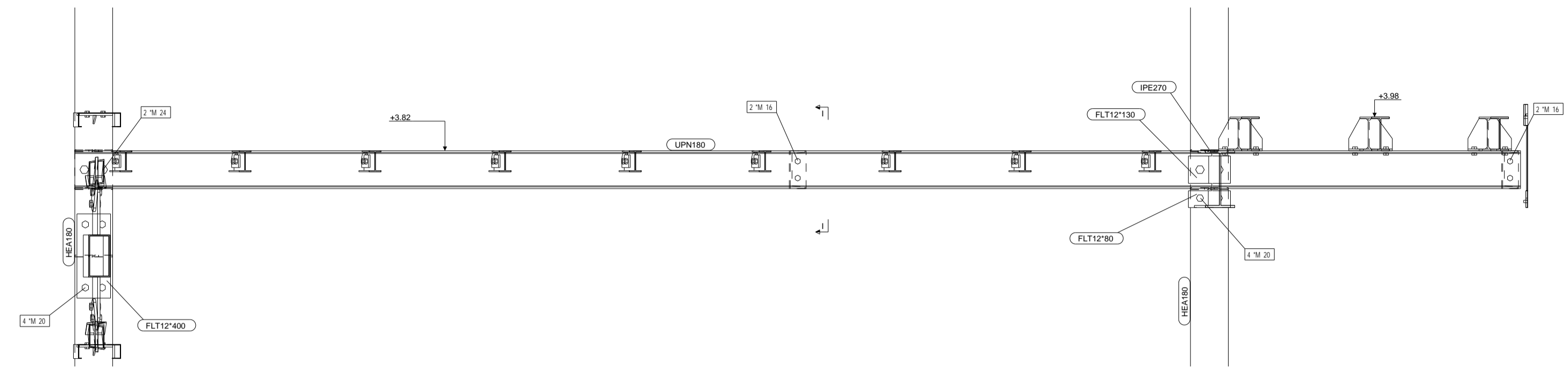


F - F

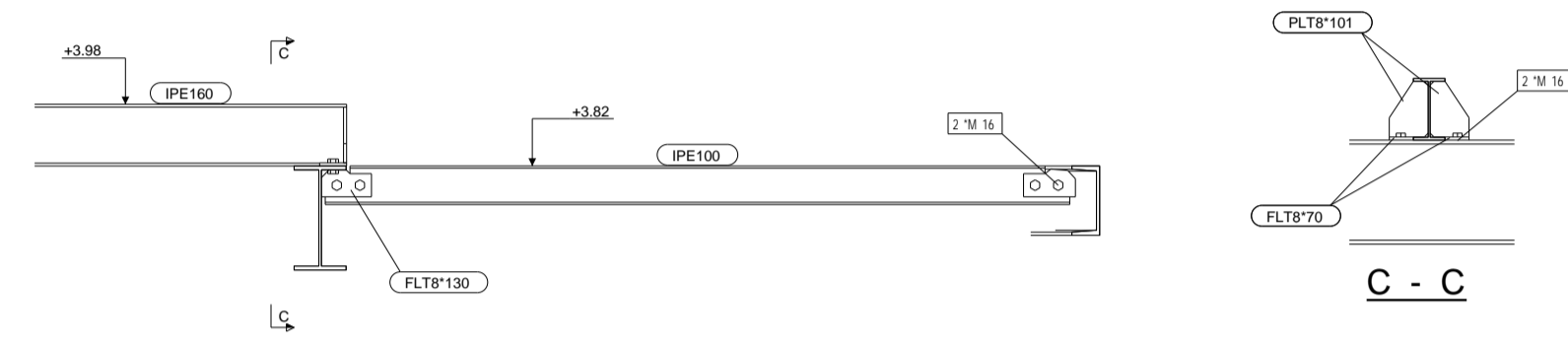
REV MARK	REVISION DESCRIPTION	REVISION DATE
	A.D.R.G CONSTRUCTIONS TEL AVIV	
	DRAWING TITLE	STANDARD
	CONTRACT	HEDER KOSHER
	MODELLED BY	SHLOMI GABAY
	CONTRACT NO	ISSUE DATE
	DRAWING No	G [1]
		SCALE 1:15 1:100
		REVISION No.



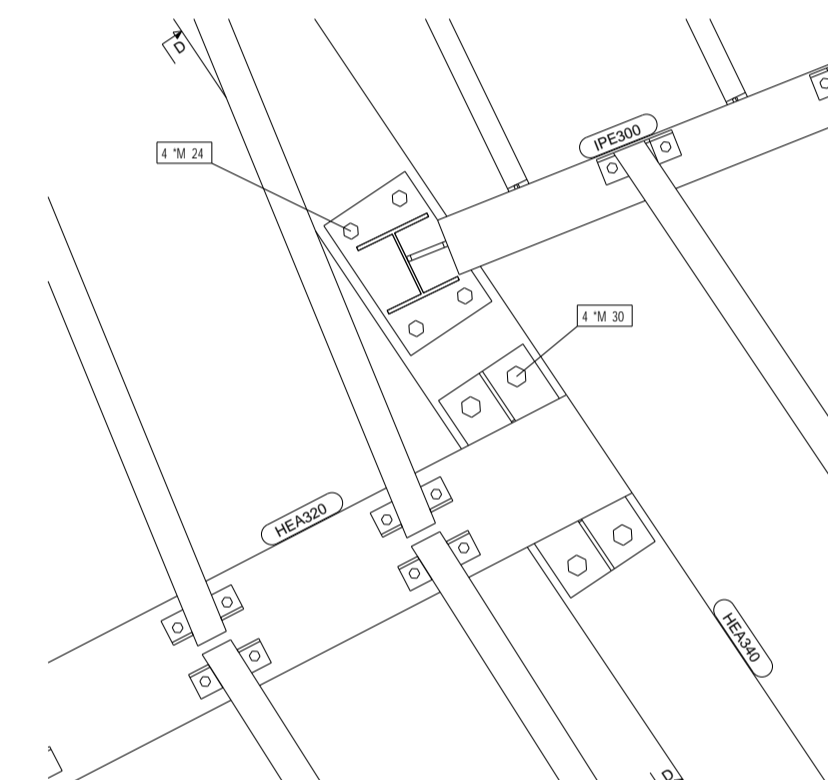
PLAN +3.98



A - A

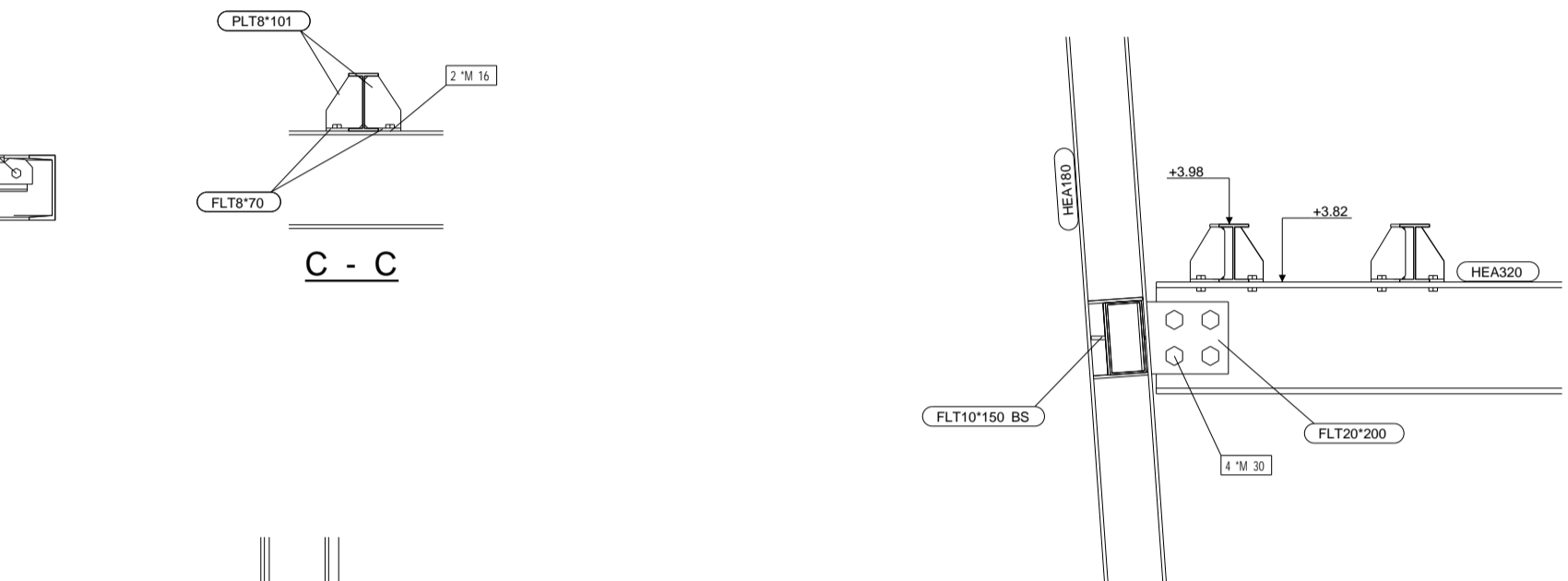


B - B

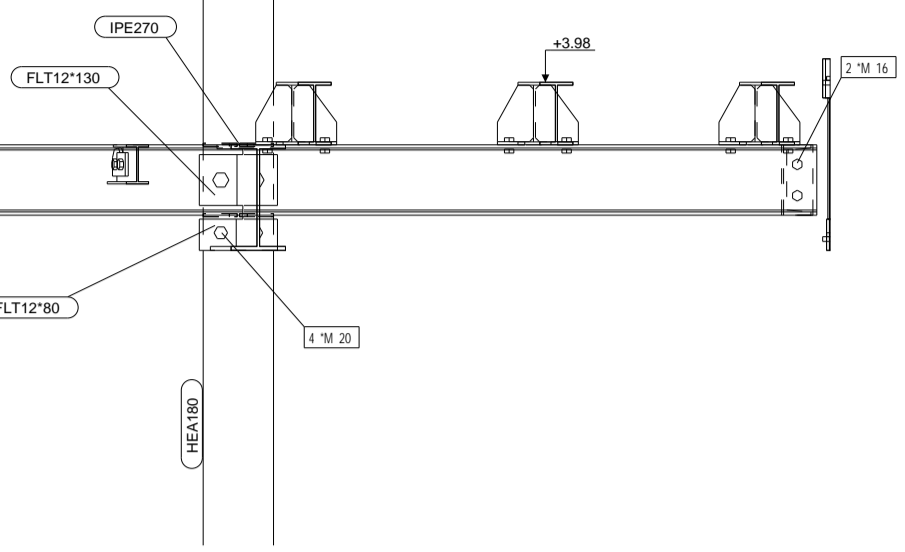


C - C

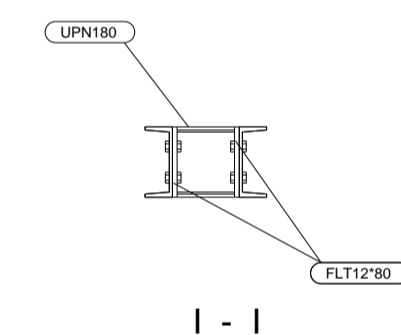
DETAIL A



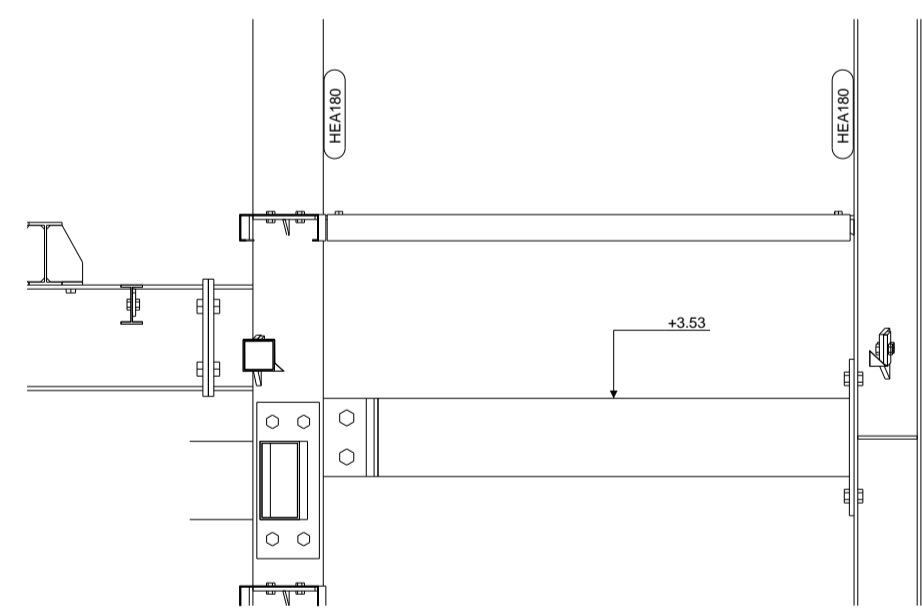
D - D



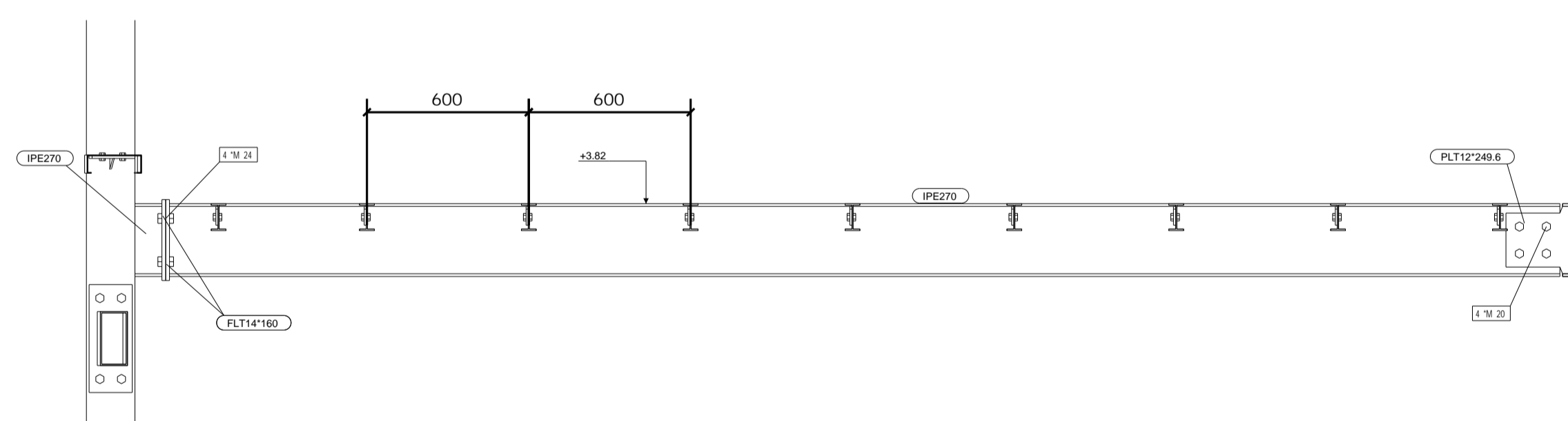
E - E



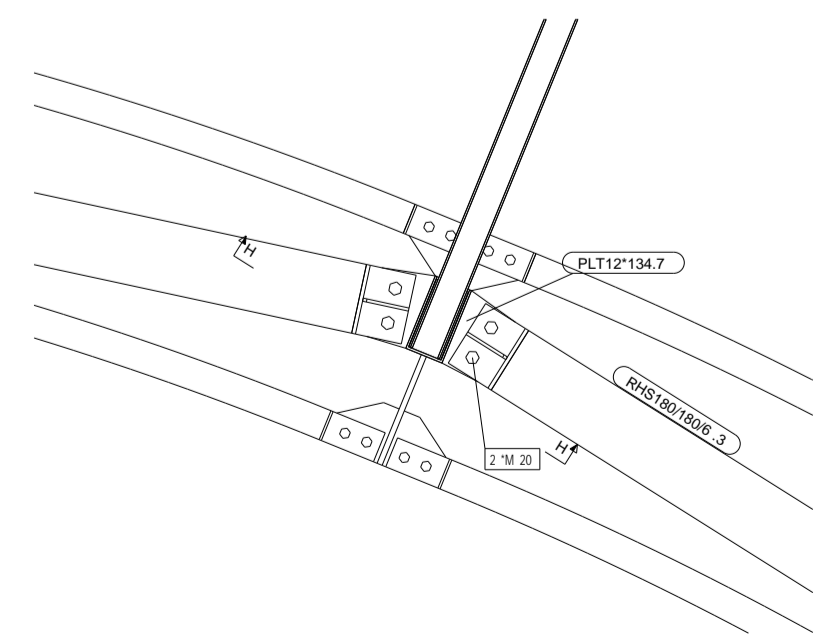
F - F



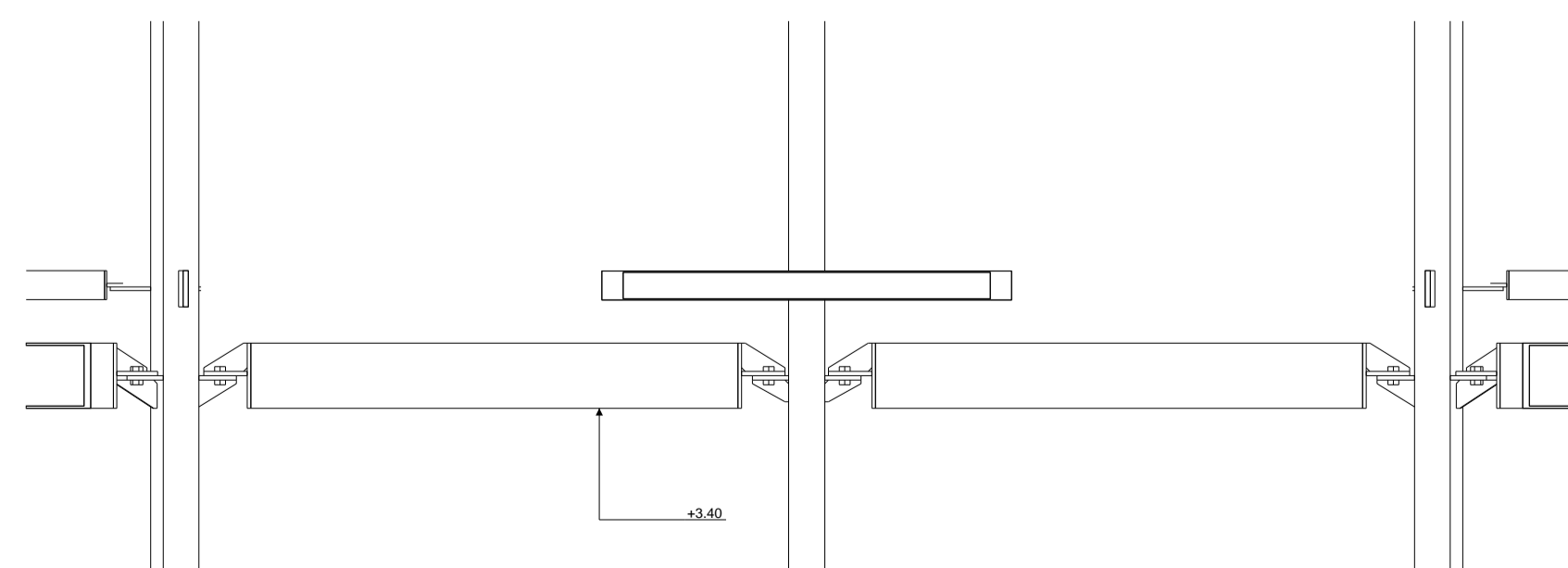
G - G



H - H

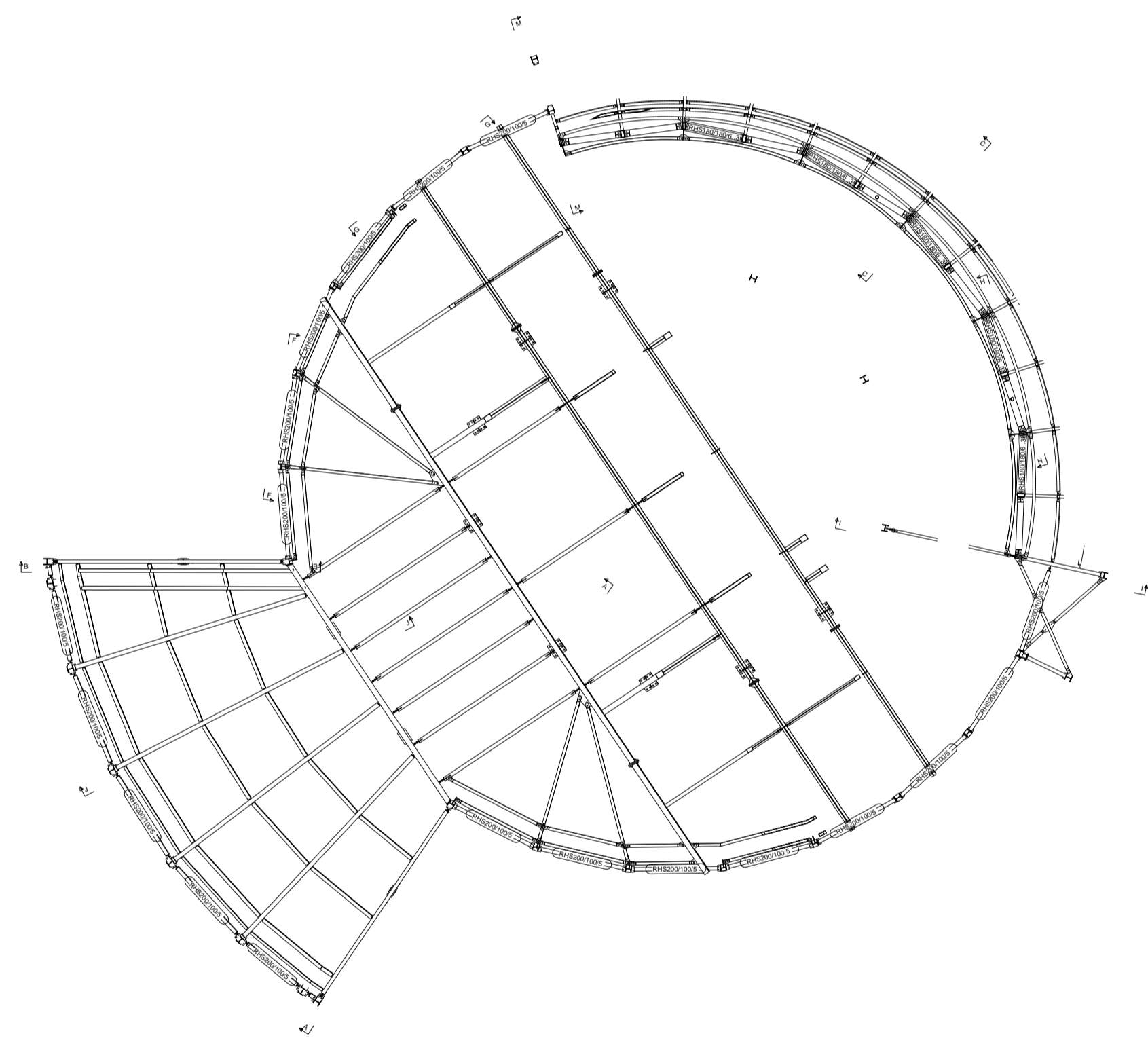


DETAIL B

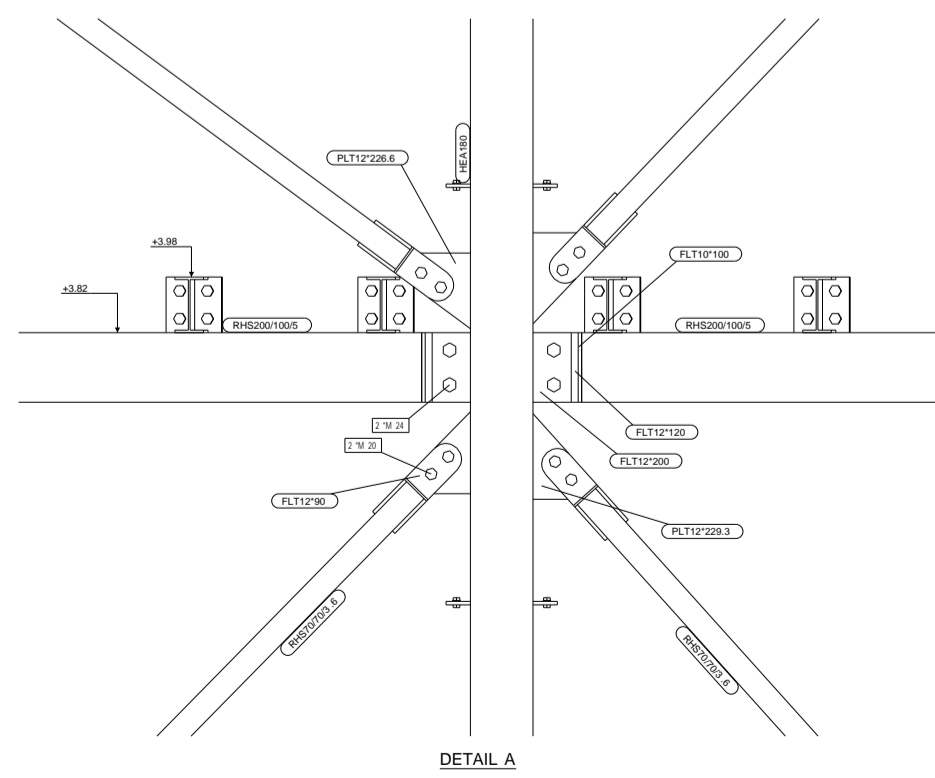


J - J

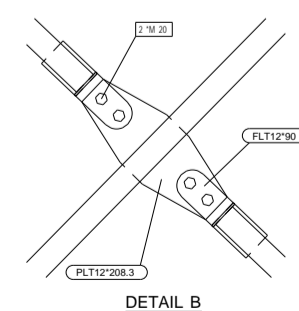
REV MARK	REVISION DESCRIPTION	REVISION DATE
	A.D.R.G CONSTRUCTIONS TEL AVIV	
DRAWING TITLE	STANDARD	
CONTRACT	HEDER KOSHER	
MODELLED BY	SHLOMI GABAY	ISSUE DATE
CONTRACT NO		SCALE 1:20 1:100
DRAWING No	G [2]	REVISION No.



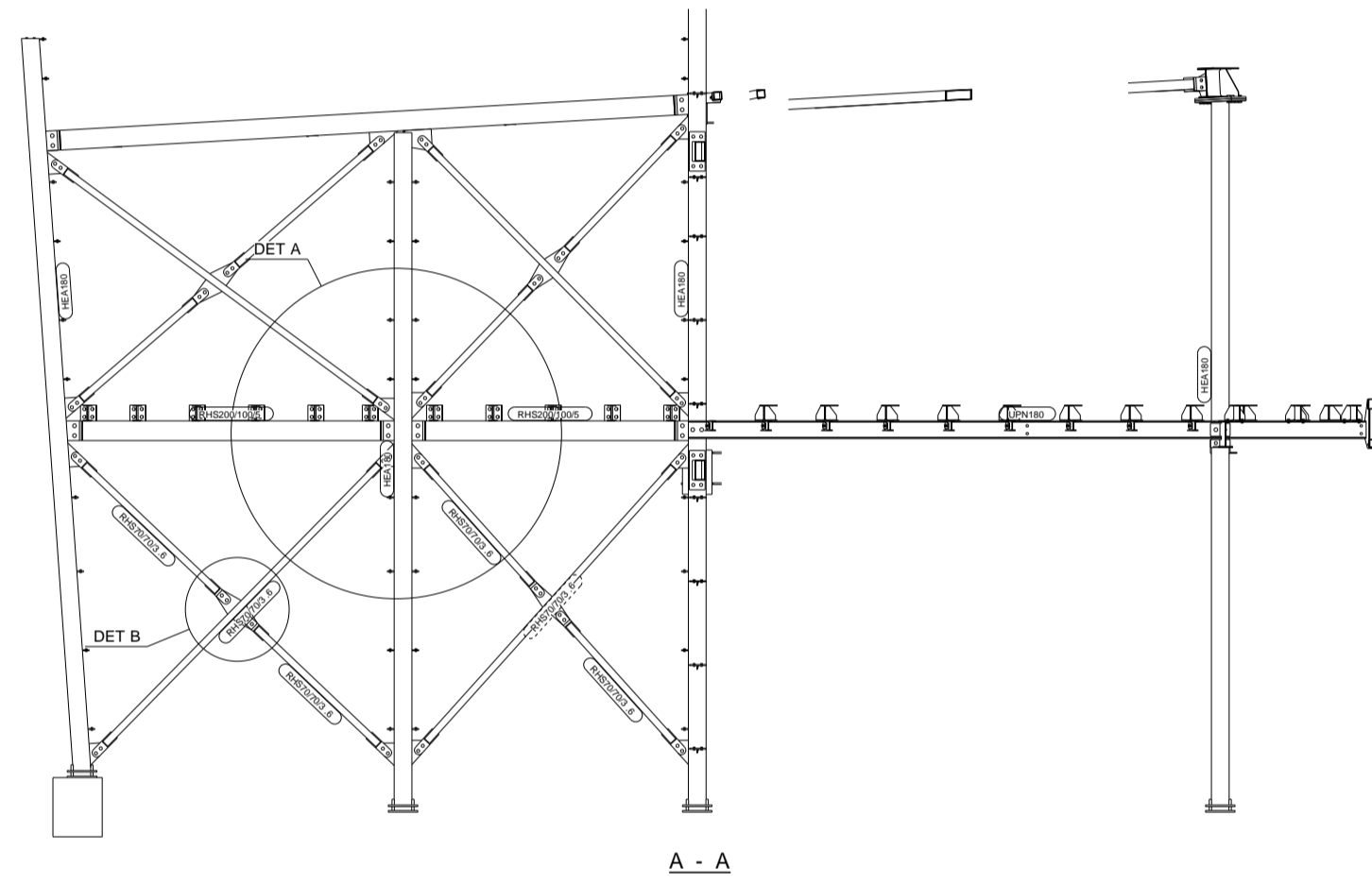
View 02 (3d)



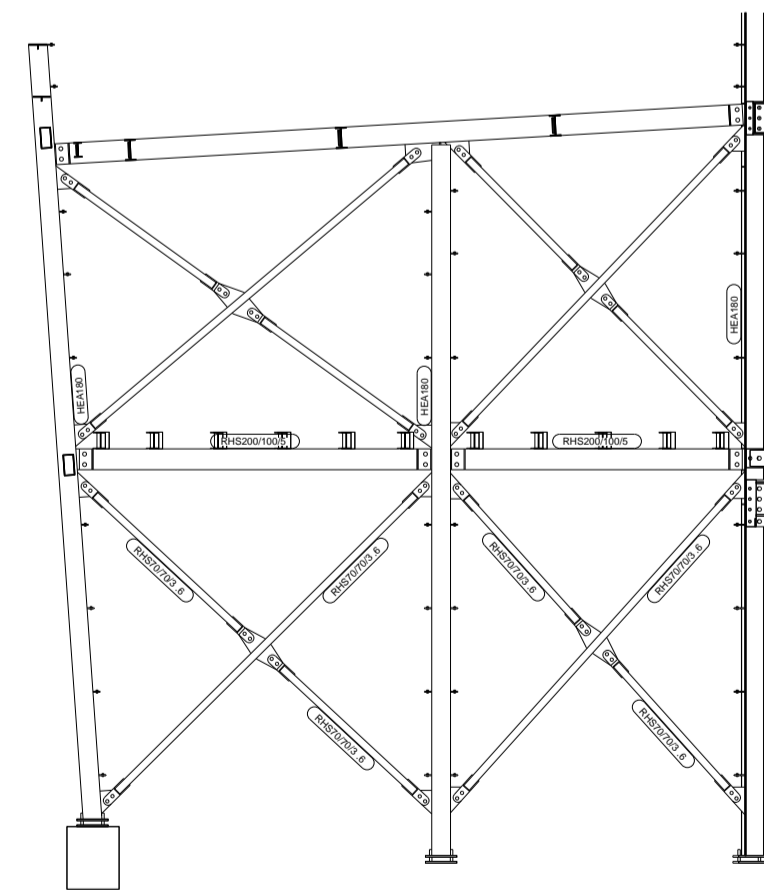
DETAIL A



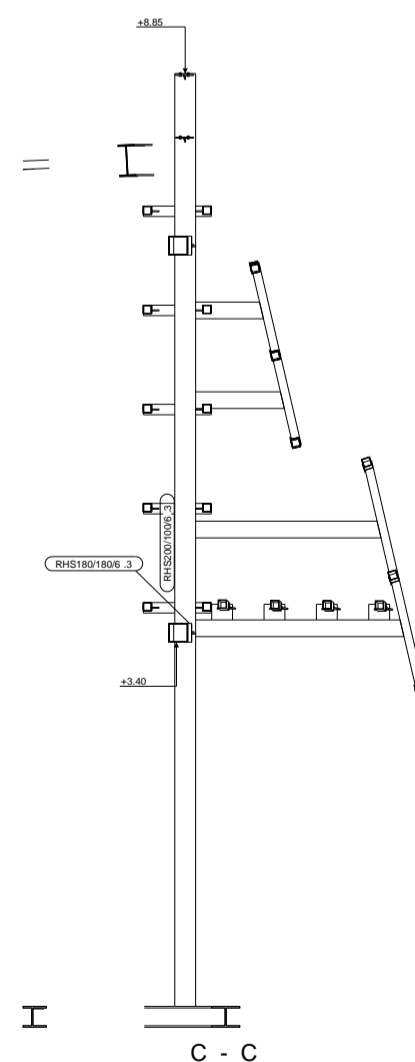
DETAIL B



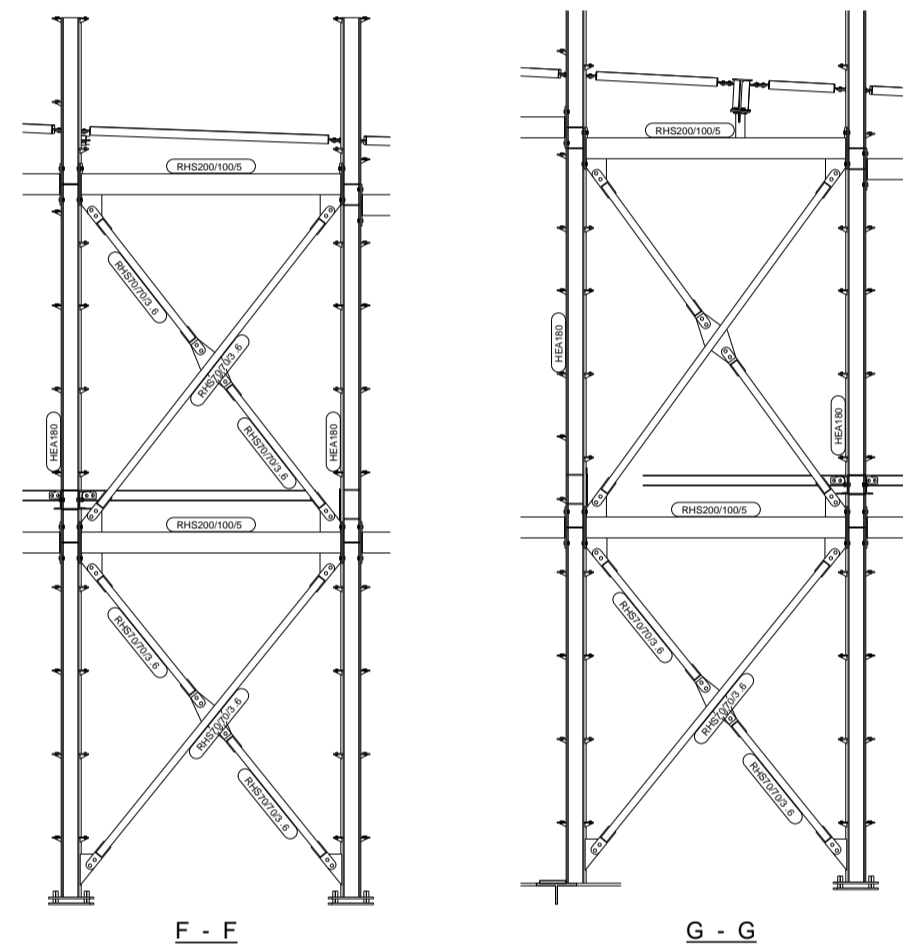
A - A



B - B

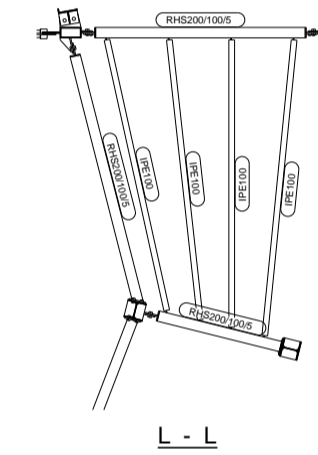


C - C

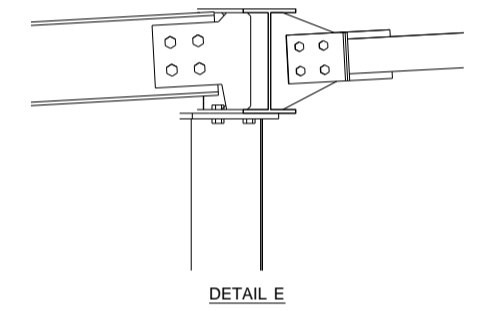


F - F

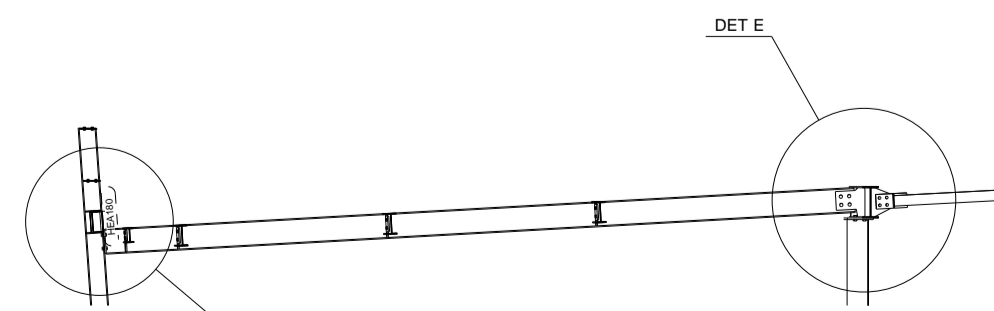
G - G



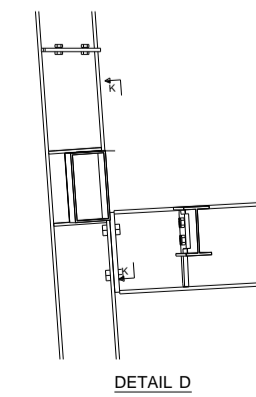
L - L



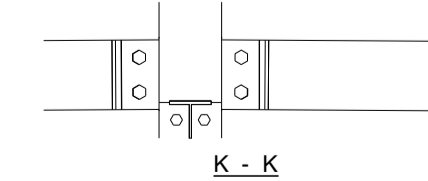
DETAIL E



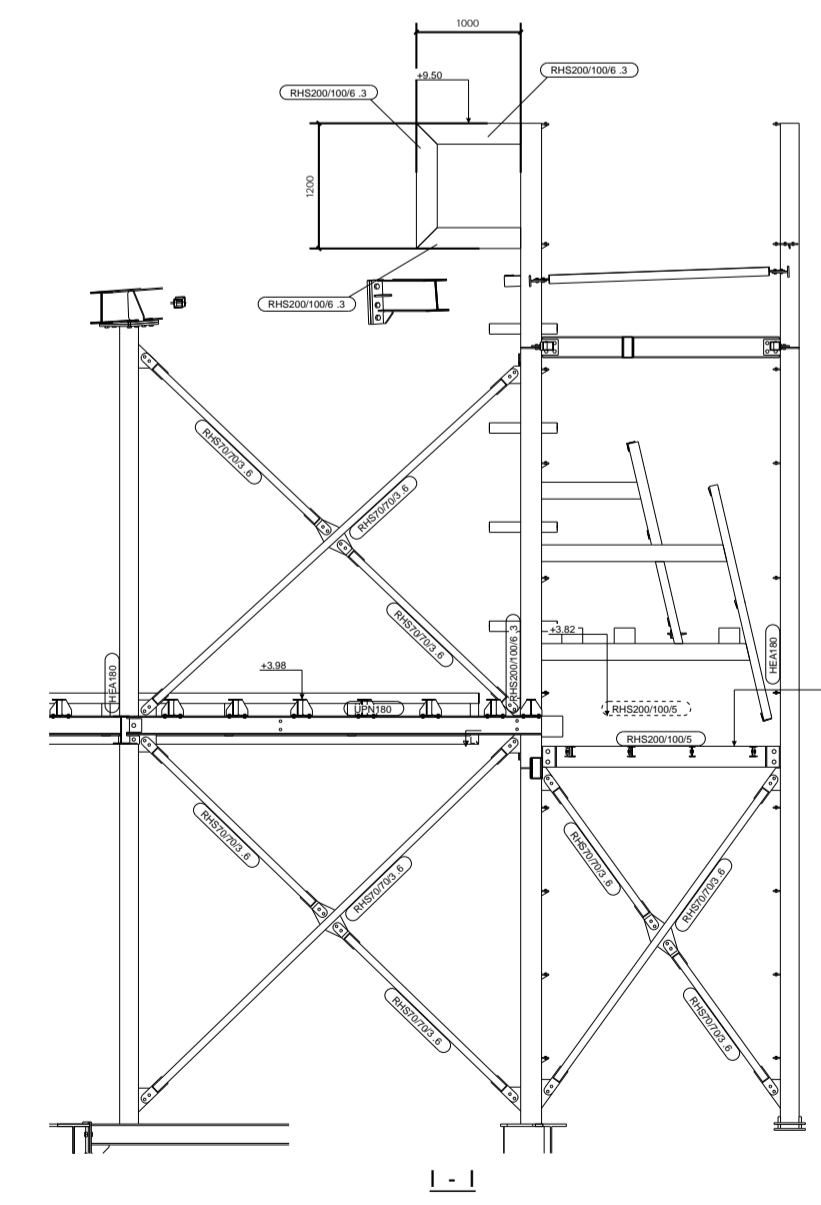
J - J



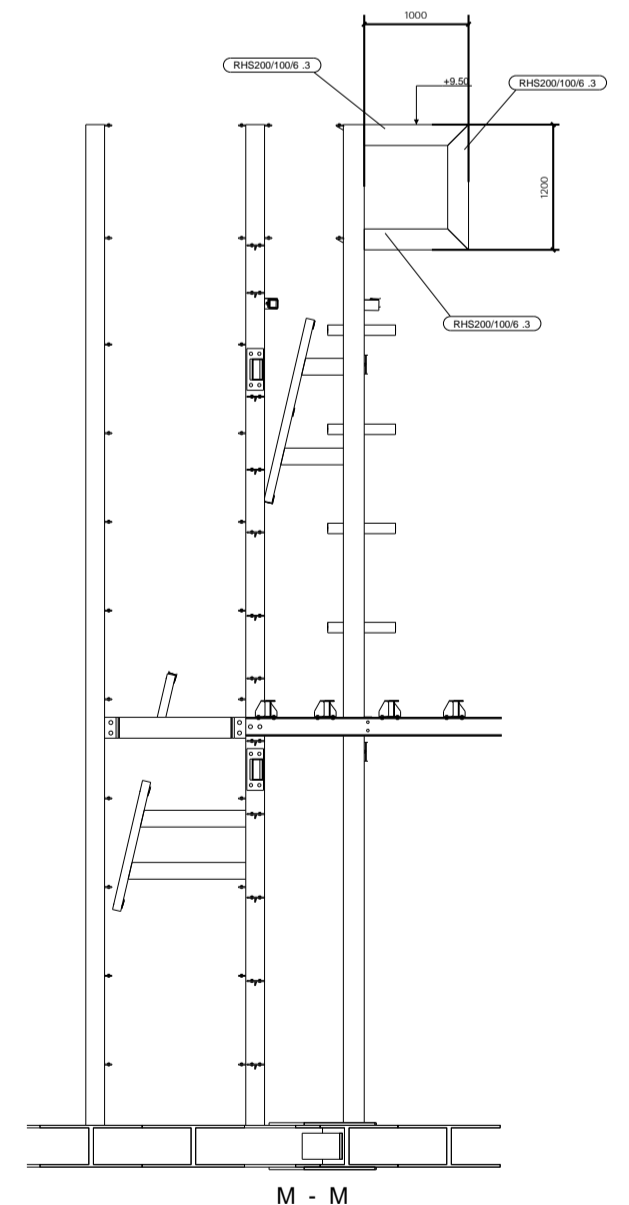
DETAIL D



K - K

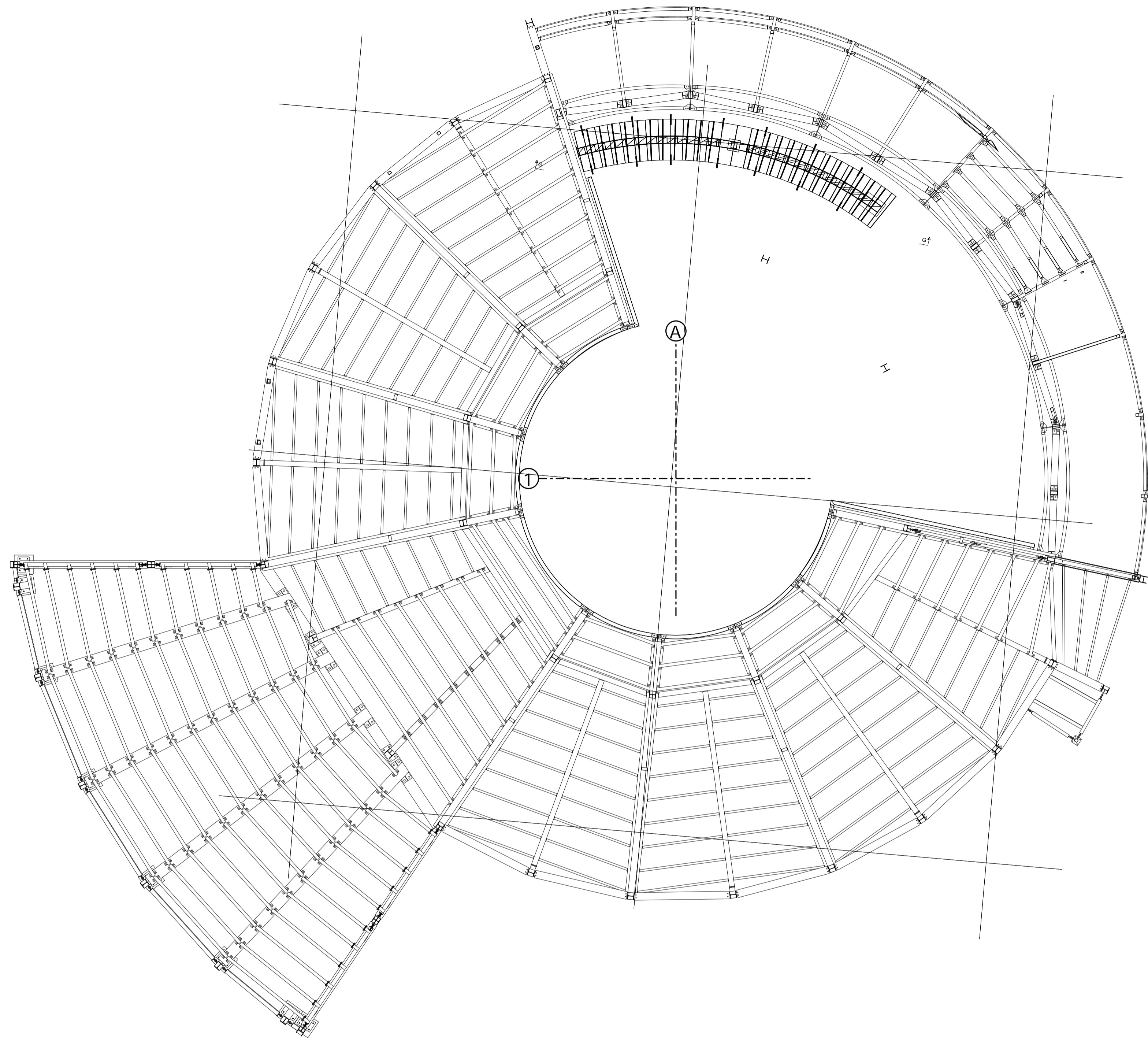


I - I

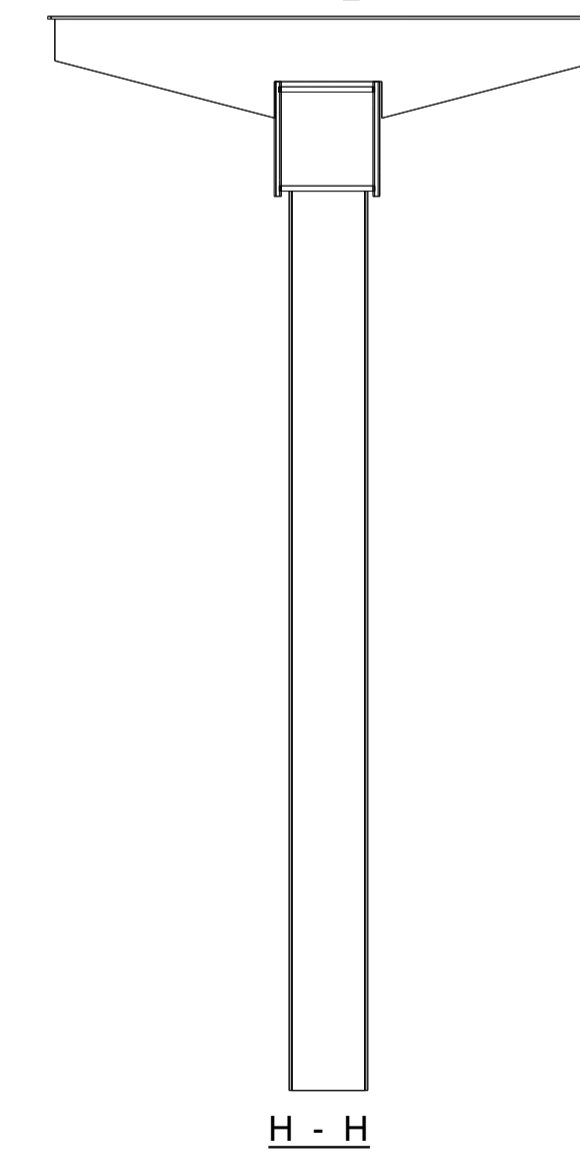
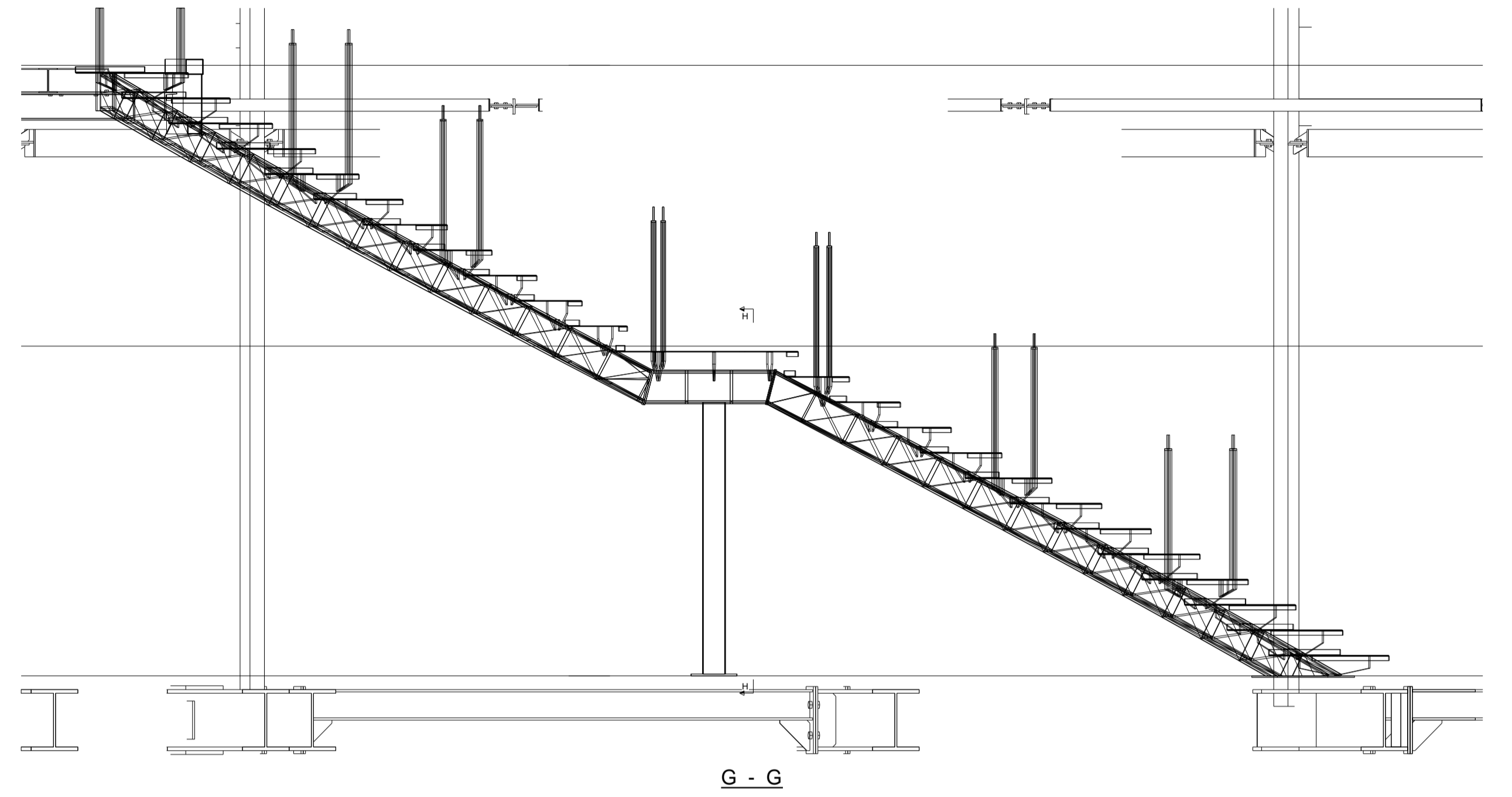


M - M

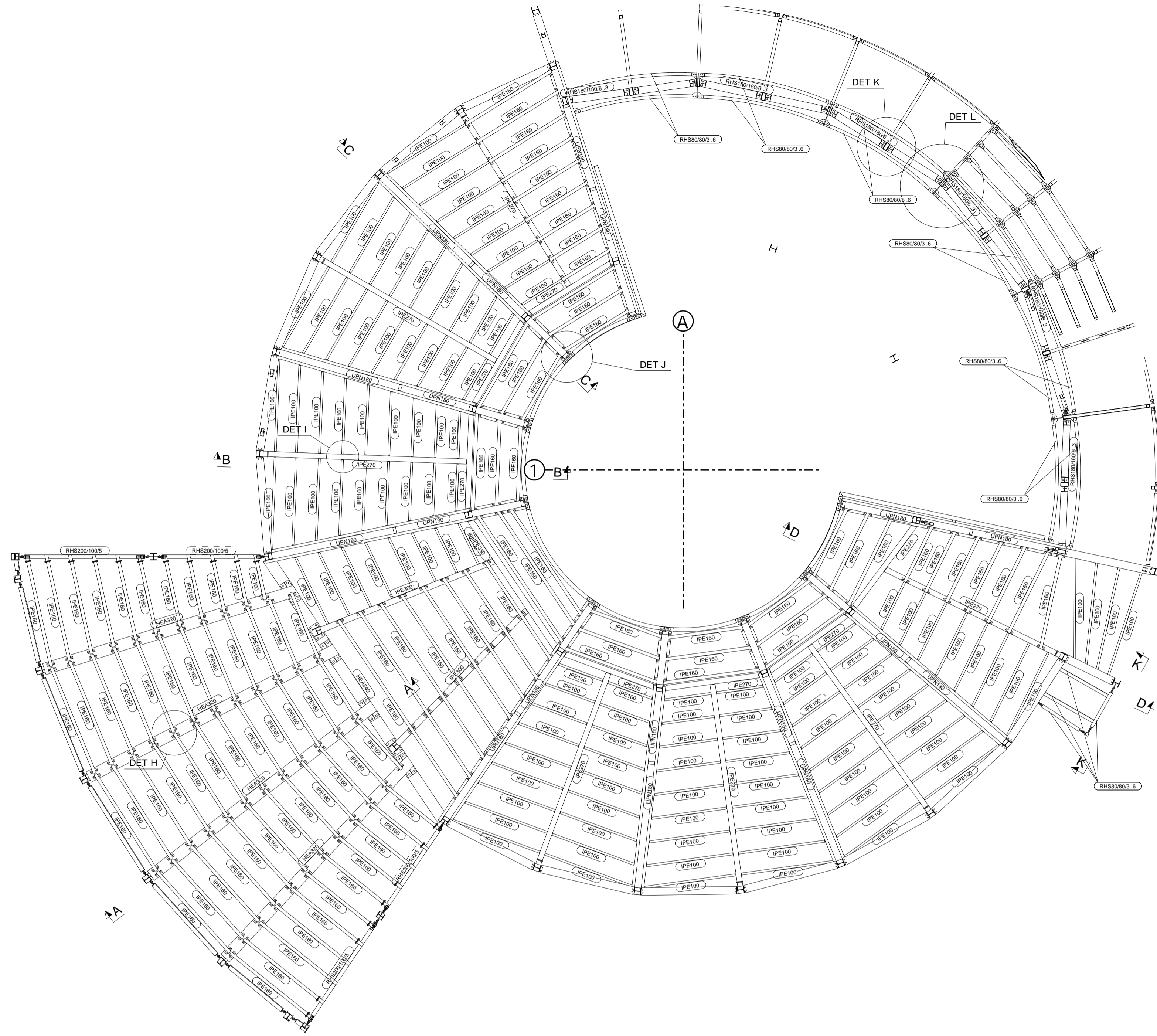
REV. MARK	REVISION DESCRIPTION	REVISION DATE
	A.D.R.G CONSTRUCTIONS TEL AVIV	
DRAWING TITLE	STANDARD	
CONTRACT	HEDER KOSHER	
MODELLED BY	SHLOMI GABAY	ISSUE DATE
CONTRACT NO		SCALE 1:15 1:50 1:100
DRAWING No	G [3]	REVISION No.



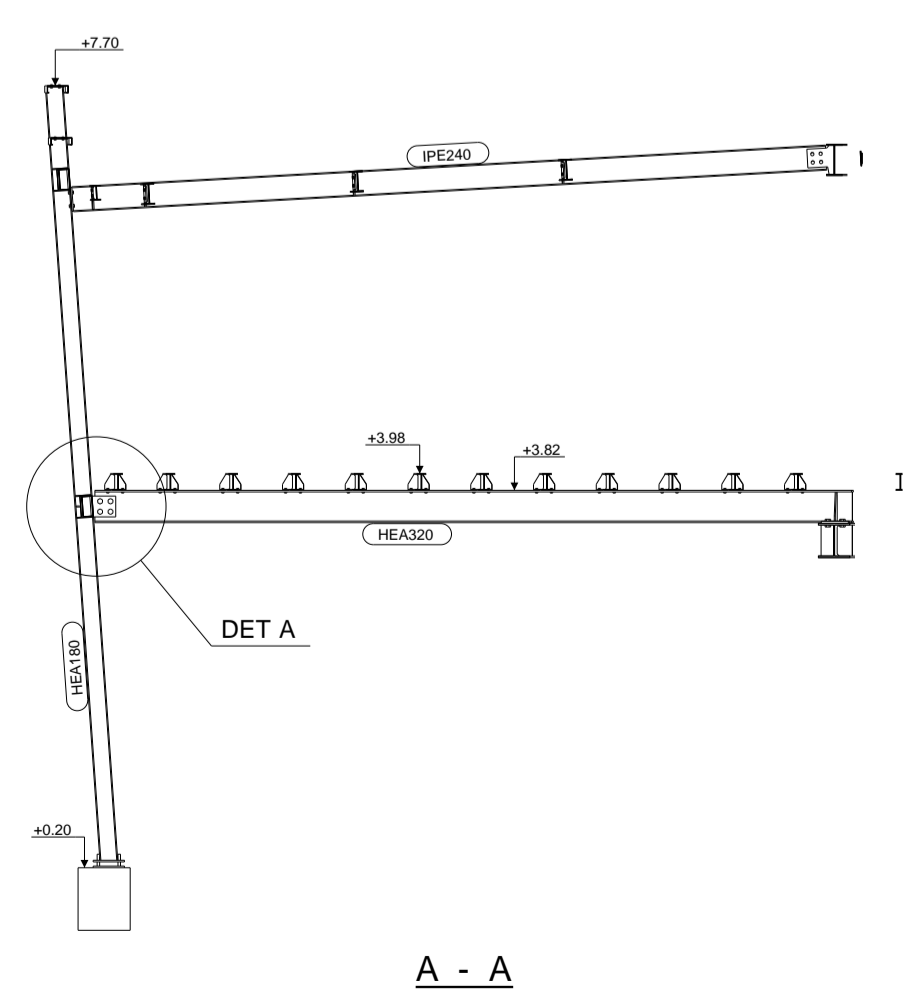
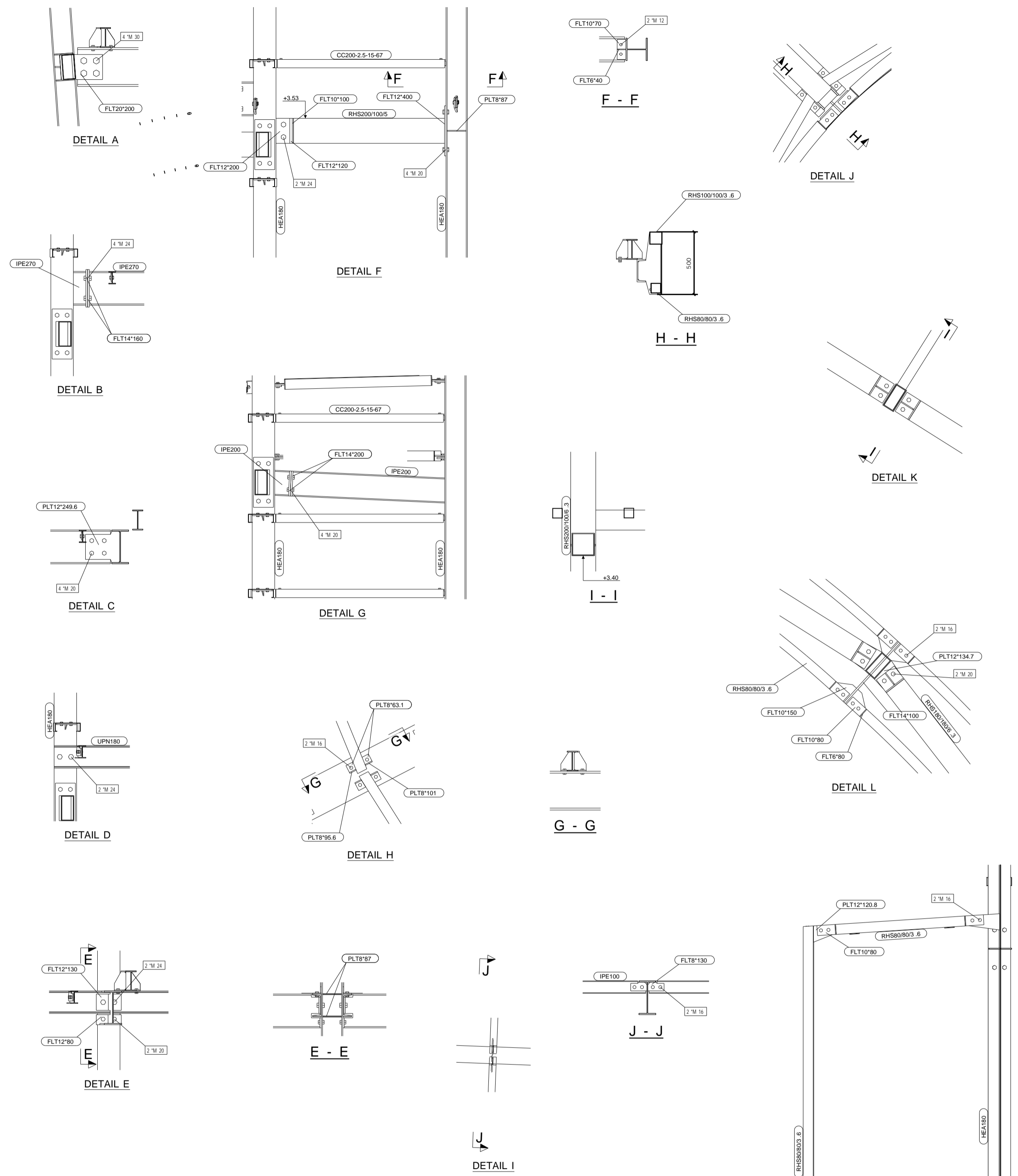
View 01 (3d)



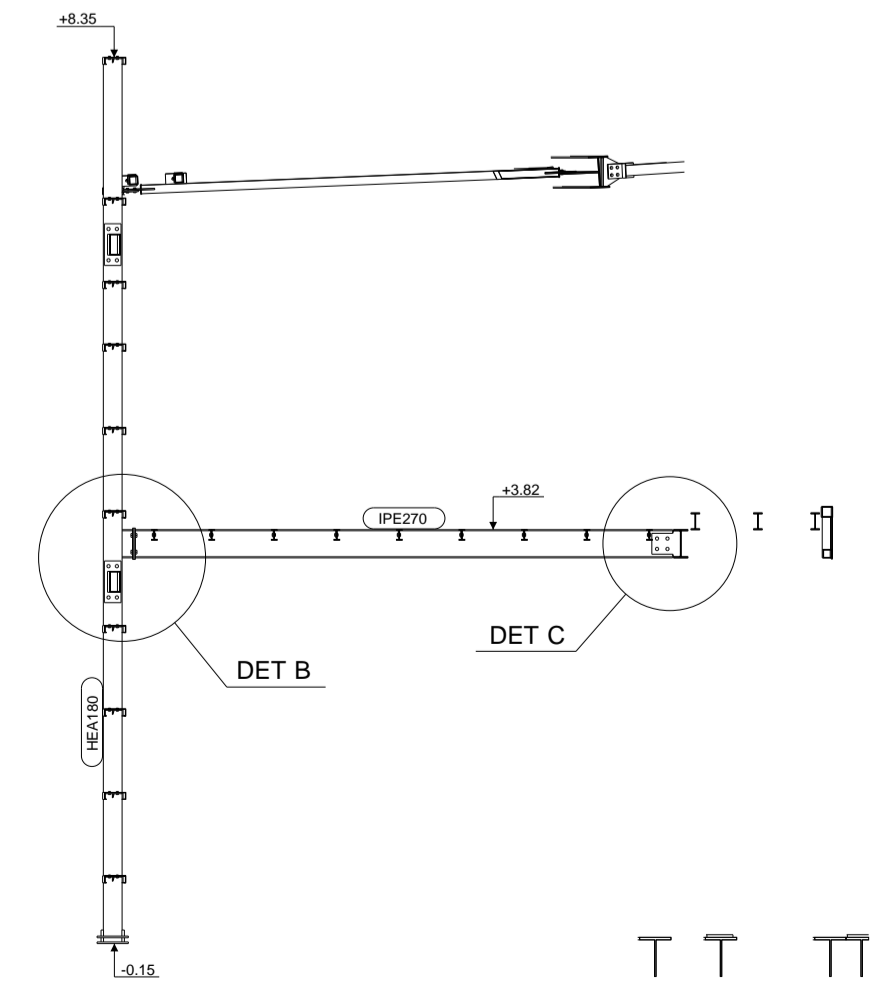
REV MARK	REVISION DESCRIPTION	REVISION DATE
A.D.R.G CONSTRUCTIONS		
TEL AVIV		
DRAWING TITLE	STANDARD	
CONTRACT	HEDER KOSHER	
MODELLED BY	SHLOMI GABAY	ISSUE DATE
CONTRACT NO		SCALE 1:15 1:30 1:75
DRAWING No	G [5]	REVISION No.



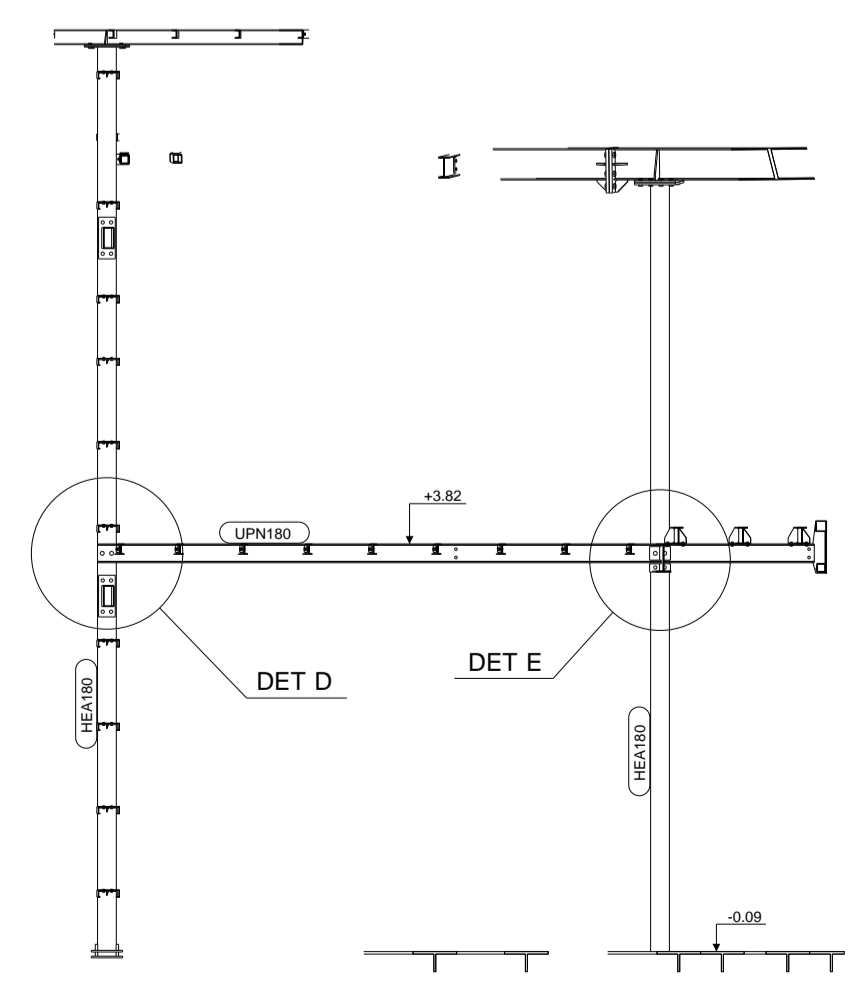
PLAN +4.00



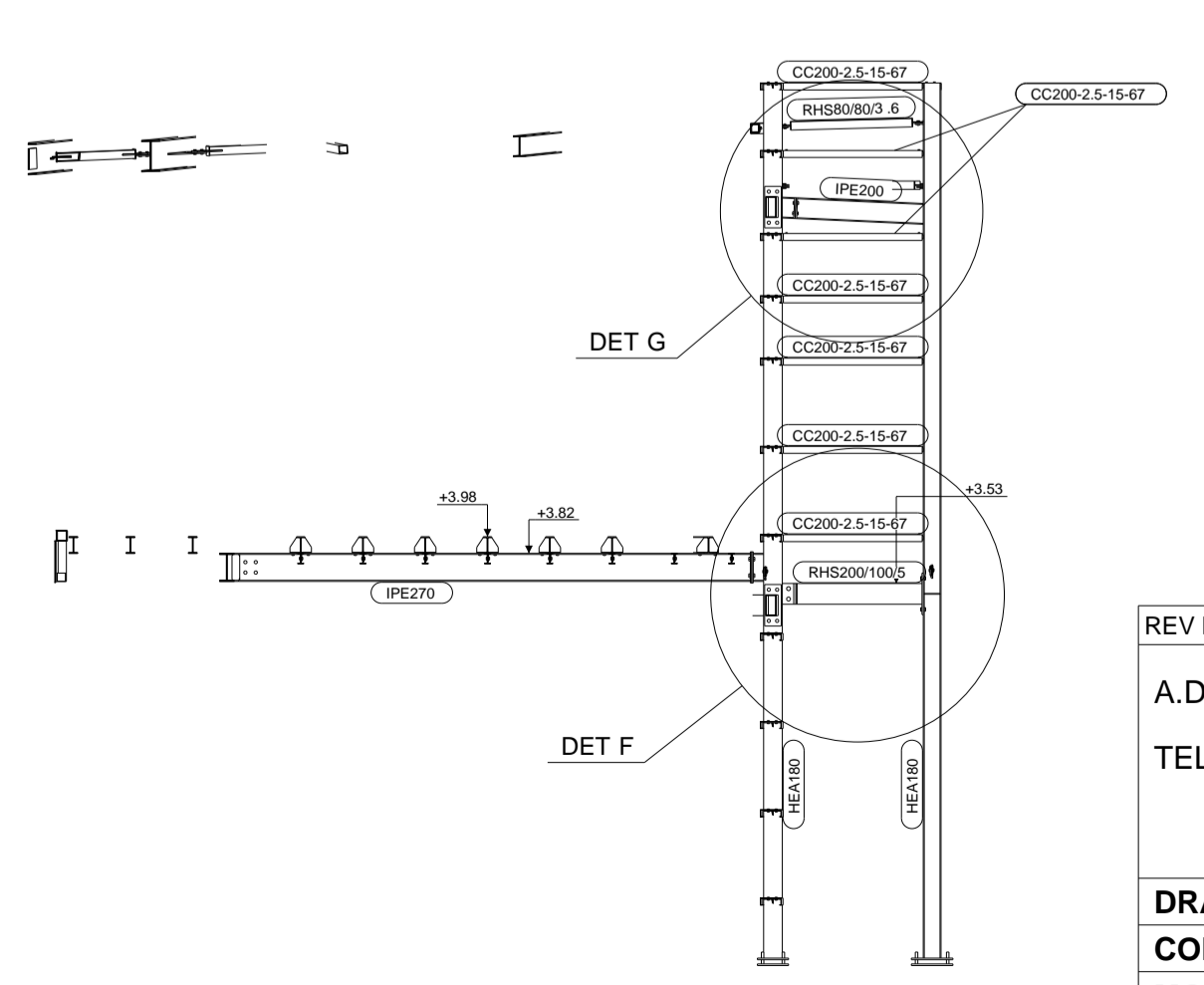
A - A



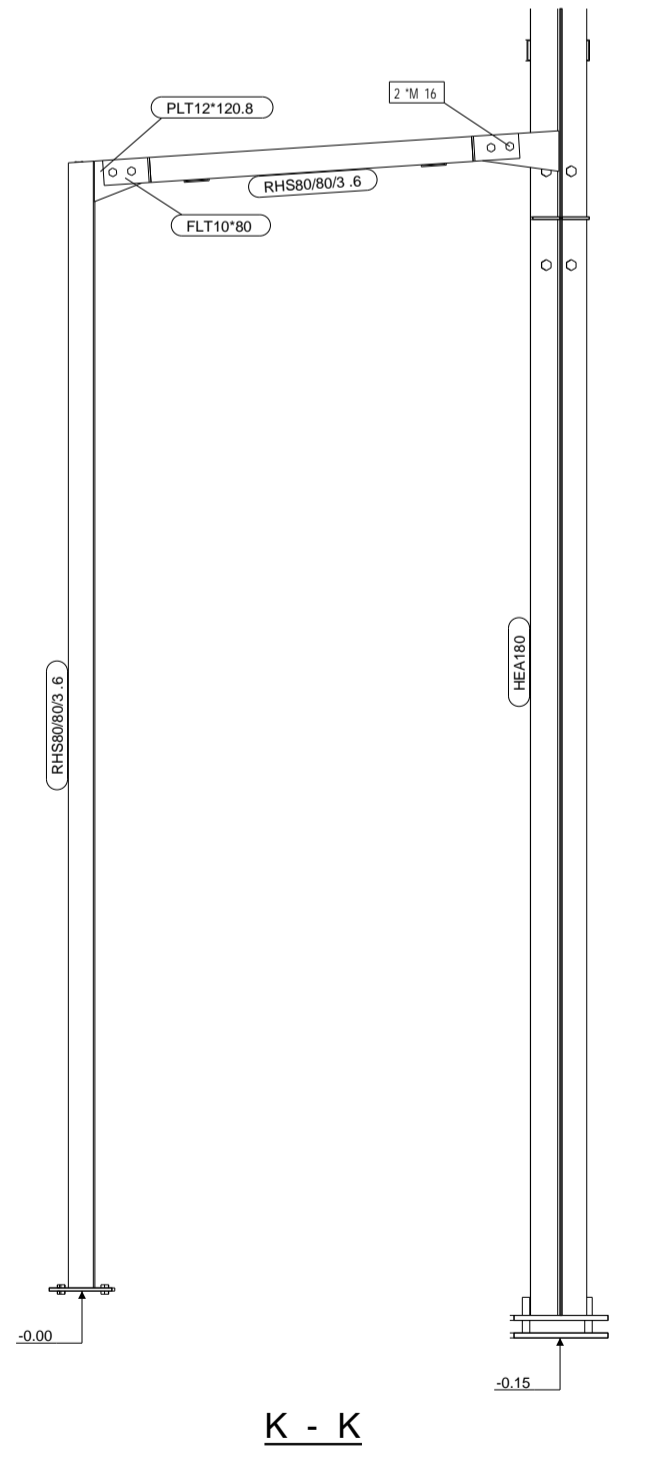
B - B



C - C

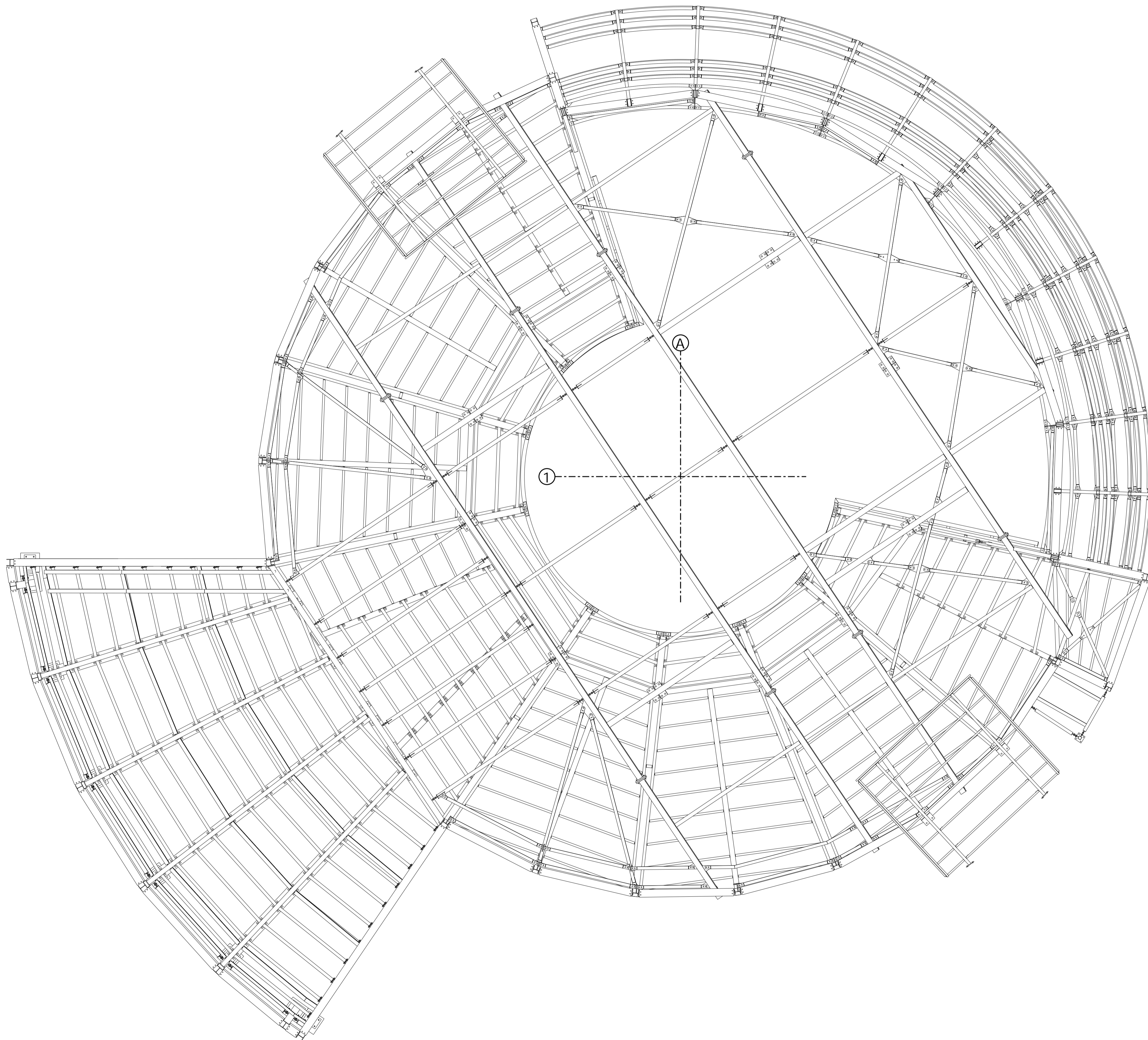


D - D



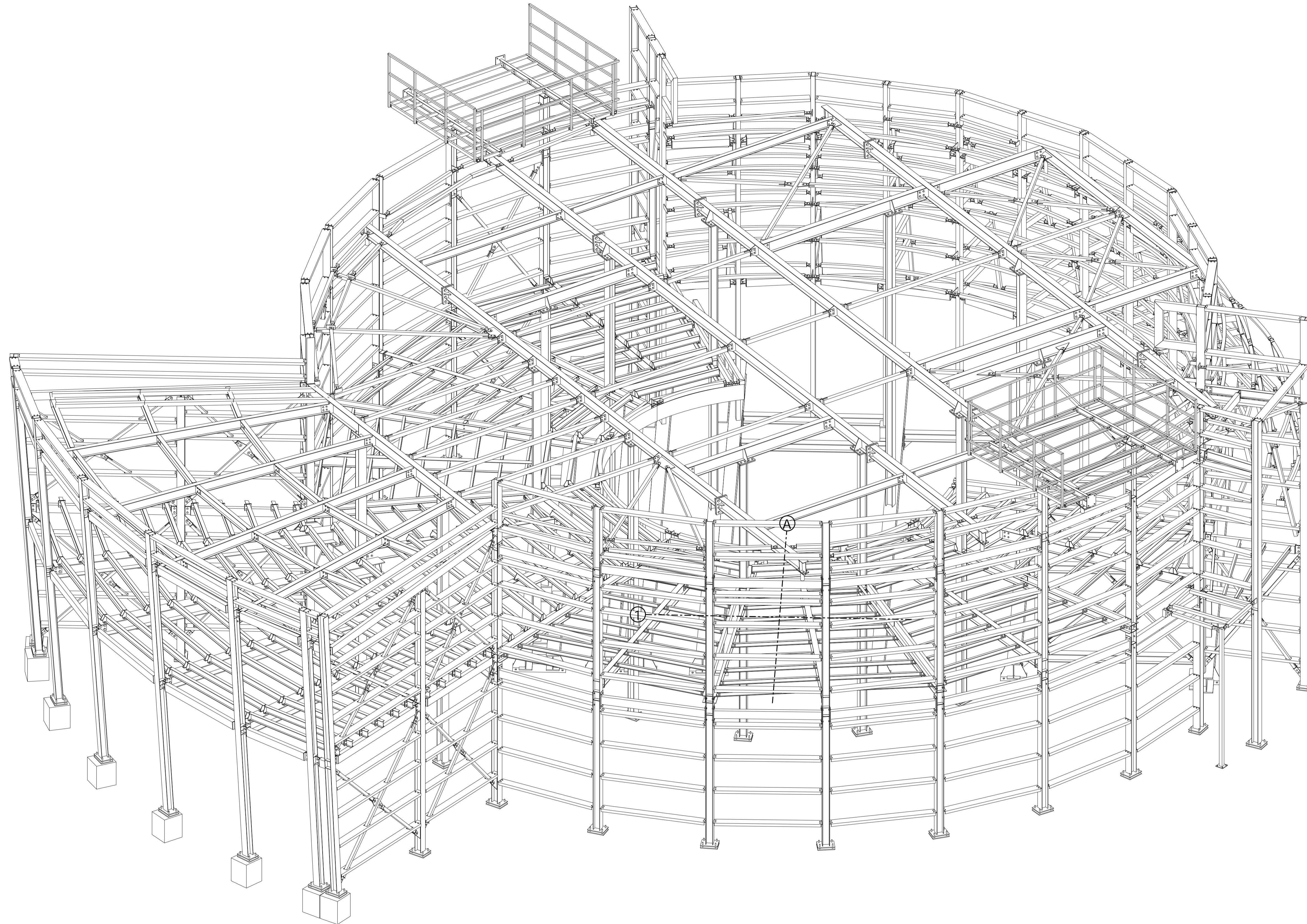
K - K

REV MARK	REVISION DESCRIPTION	REVISION DATE
	A.D.R.G CONSTRUCTIONS TEL AVIV	
DRAWING TITLE	STANDARD	
CONTRACT	HEDER KOSHER	
MODELLED BY	SHLOMI GABAY	ISSUE DATE
CONTRACT NO		SCALE 1:25 1:75
DRAWING No	G [7]	REVISION No.



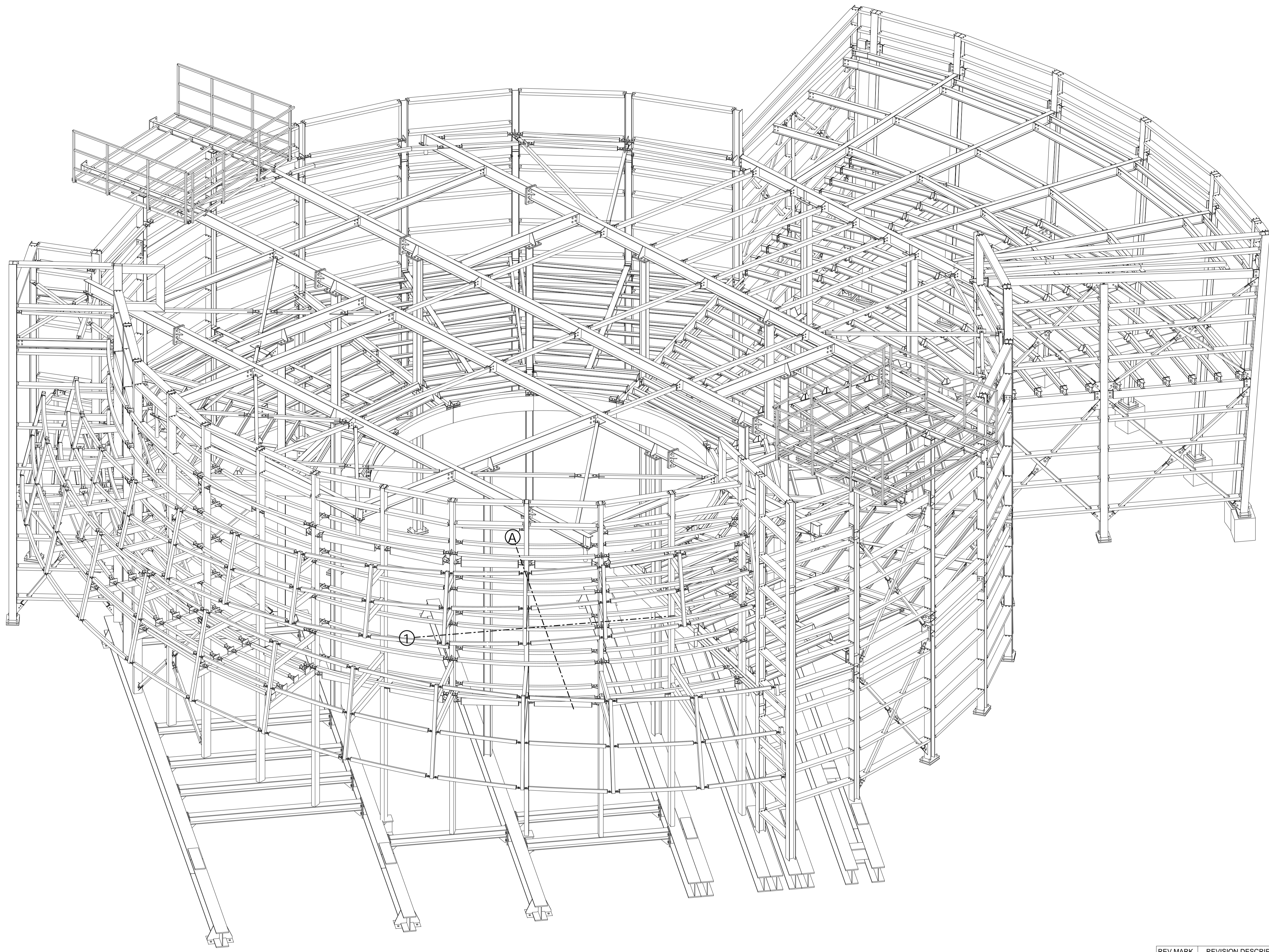
View 03 (3d)

REV MARK	REVISION DESCRIPTION	REVISION DATE
A.D.R.G CONSTRUCTIONS		
TEL AVIV		
DRAWING TITLE	STANDARD	
CONTRACT	HEDER KOSHER	
MODELLED BY	SHLOMI GABAY	ISSUE DATE
CONTRACT NO		SCALE 1:60
DRAWING No	G [10]	REVISION No.



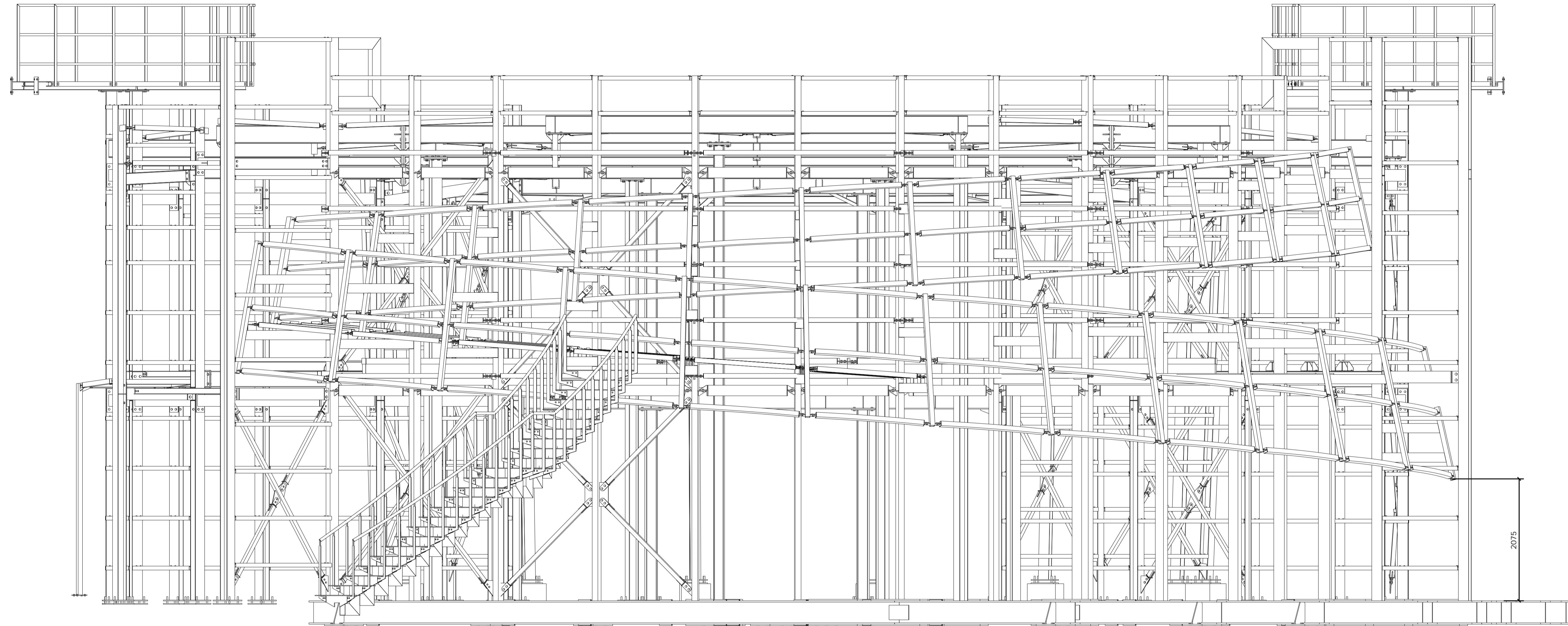
View 03 (3d)

REV MARK	REVISION DESCRIPTION	REVISION DATE
A.D.R.G CONSTRUCTIONS		
TEL AVIV		
DRAWING TITLE	STANDARD	
CONTRACT	HEDER KOSHER	
MODELLED BY	SHLOMI GABAY	ISSUE DATE
CONTRACT NO		SCALE 1:50
DRAWING No	G [11]	REVISION No.



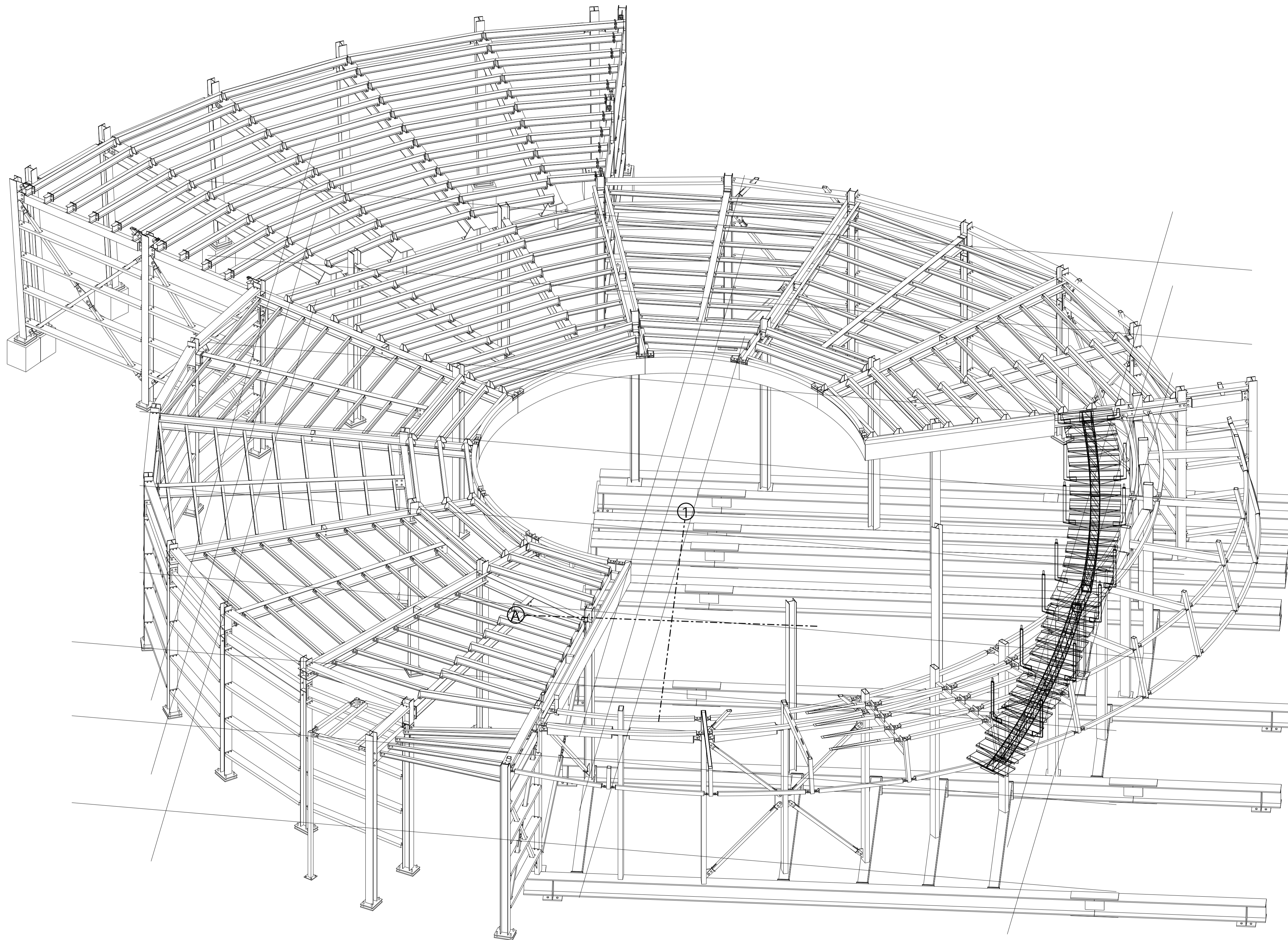
View 03 (3d)

REV MARK	REVISION DESCRIPTION	REVISION DATE
	A.D.R.G CONSTRUCTIONS TEL AVIV	
DRAWING TITLE	STANDARD	
CONTRACT	HEDER KOSHER	
MODELLED BY	SHLOMI GABAY	ISSUE DATE
CONTRACT NO		SCALE 1:50
DRAWING No	G [12]	REVISION No.



View 03 (3d)

REV MARK	REVISION DESCRIPTION	REVISION DATE
A.D.R.G CONSTRUCTIONS		
TEL AVIV		
DRAWING TITLE	STANDARD	
CONTRACT	HEDER KOSHER	
MODELLED BY	SHLOMI GABAY	ISSUE DATE
CONTRACT NO		SCALE 1:40
DRAWING No	G [13]	REVISION No.



View 02 (3d)

REV MARK	REVISION DESCRIPTION	REVISION DATE
A.D.R.G CONSTRUCTIONS		
TEL AVIV		
DRAWING TITLE	STANDARD	
CONTRACT	HEDER KOSHER	
MODELLED BY	SHLOMI GABAY	ISSUE DATE
CONTRACT NO		SCALE 1:50
DRAWING No	G [14]	REVISION No.